



(en) Parts Manual
MAXI-AIR™ 400 / 375DP



TABLE OF CONTENTS

1.0 TRAILER PARTS GROUP

Axle and Wheel Group	(1.1)
Tongue Group	(1.2)
Tongue Coupler Options	(1.3)
Front Enclosure Panels	(1.4)
Left Enclosure Panels and Door	(1.5)
Right Enclosure Panels and Doors	(1.6)
Rear Enclosure Panels and Doors	(1.7)
Top Enclosure Panels	(1.8)
Urethane Foam Linings	(1.9)

2.0 ENGINE GROUP

Maxi-Air 400/375DP Engine	(2.1)
Engine Mounting	(2.2)
Engine Finger and Fan Guards	(2.3)
Engine Cooling Group	(2.4)
Engine Air Intake Group	(2.5)
Engine Exhaust Group	(2.6)
Engine DEF System Group	(2.7)
Fuel Tank and Fuel Lines	(2.8)

3.0 AIR COMPRESSOR GROUP

Air End	(3.1)
Unloader	(3.2)
Receiver, Separator, and Service Header	(3.3)
Pressure Control Valve Assembly Group	(3.4)
Maxi-Air 400 Air Lines	(3.5)
Maxi-Air 375DP Air Lines	(3.6)
Oil Lines	(3.7)

Maxi-Air 400 & 375DP

TABLE OF CONTENTS

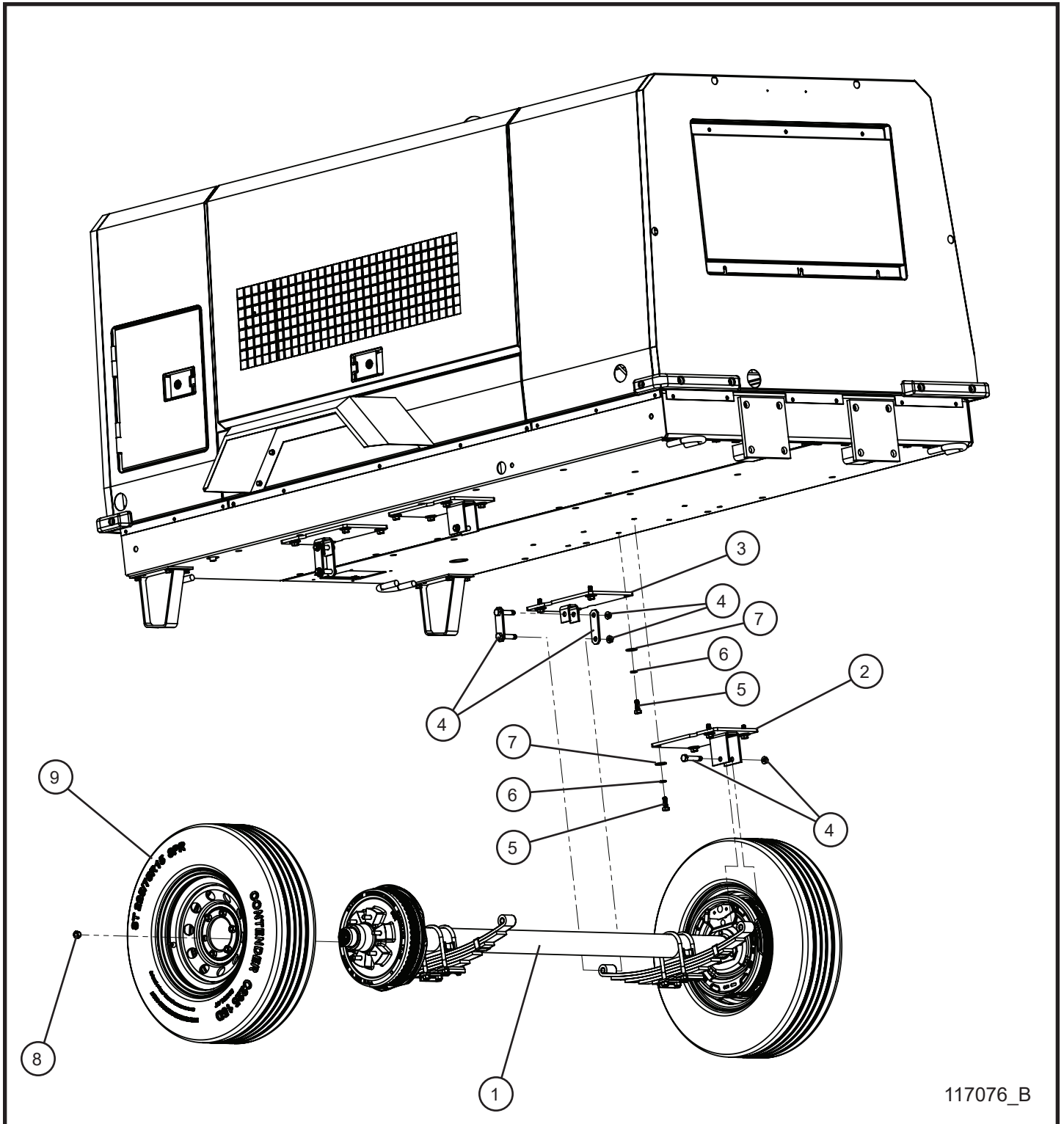
4.0 ELECTRICAL GROUP

Control Box Group	(4.1)
Battery Cables Group	(4.2)
Battery Charger	(4.3)
Trailer Lighting Group	(4.4)
Trailerless Lighting Hole Covers	(4.5)
Breakaway Kit Assembly Group	(4.6)

5.0 DECALS

Left and Right Side Enclosure Decals	(5.1)
Front, Rear, and Top Side Enclosure Decals	(5.2)
Tongue, Lift Box, and Finger Guard Decals	(5.3)
Interior Decals	(5.4)

1.1 - Axle and Wheel Group



117076_B

Maxi-Air 400 & 375DP

SN 31-000024 and UP

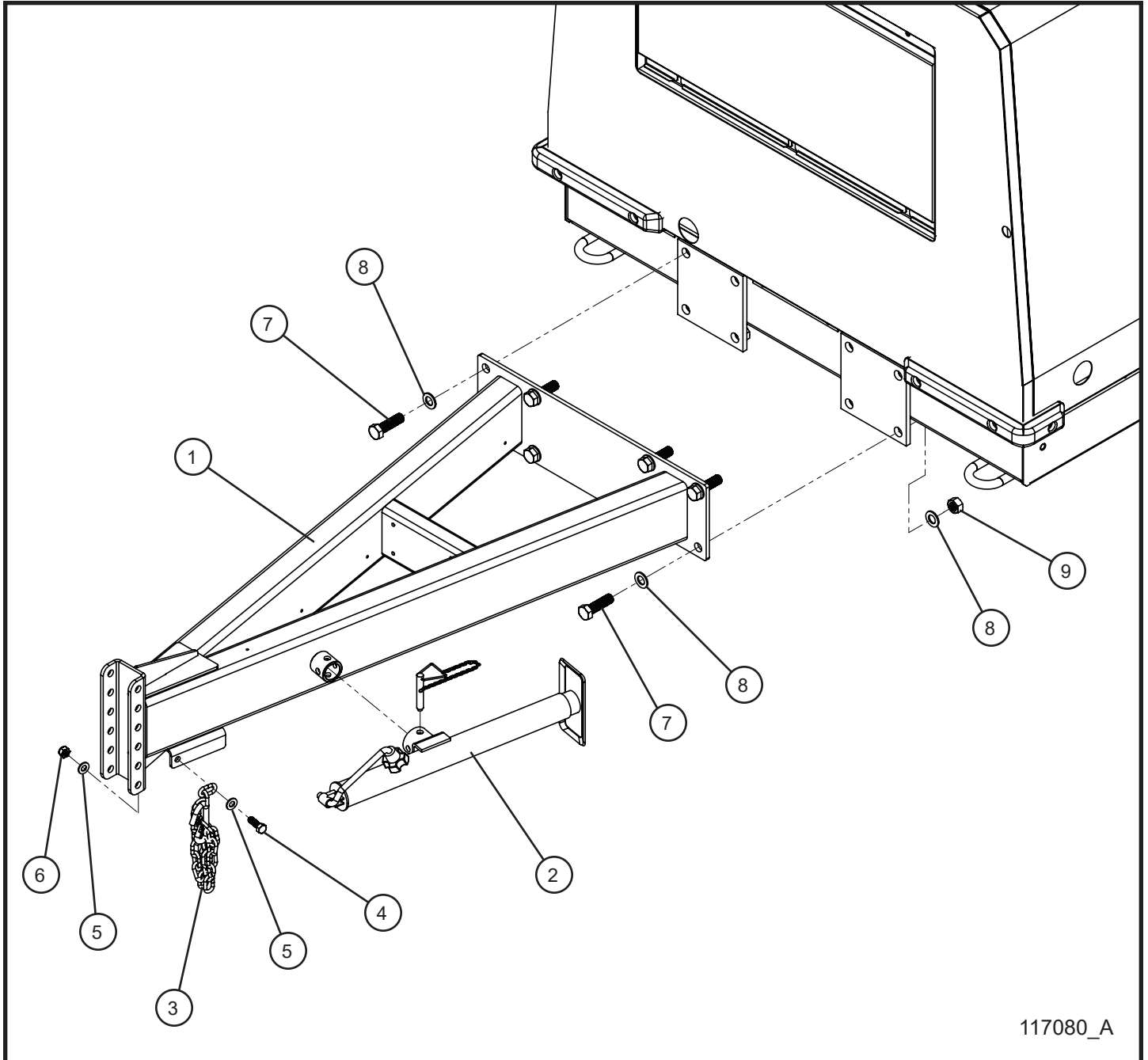
1.1 - Axle and Wheel Group

Item	Part No.	Part Description	Qty.
1	110376	MAXI-AIR 375DP/400 ELECTRIC BRAKE AXLE	1
2	117210P	MAXI-AIR 375DP/400 FRONT SHACKLE WELDMENT	2
3	117209P	MAXI-AIR 375DP/400 REAR SHACKLE WELDMENT	2
4	117120	SINGLE AXLE SUSPENSION KIT	1
5	***	M12 x 1.75 x 35mm HEX HEAD BOLT	8
6	***	LOCK WASHER	8
7	***	FLAT WASHER	8
8	032048	1/2-20 LUG NUT PL	12
9	110331	15" WHEEL/TIRE ASSEMBLY RADIAL 225/75R15 LOAD RANGE D	2

NS - Not Shown

*** - Contact Allmand for more information.

1.2 - Tongue Group



Maxi-Air 400 & 375DP

SN 31-000024 and UP

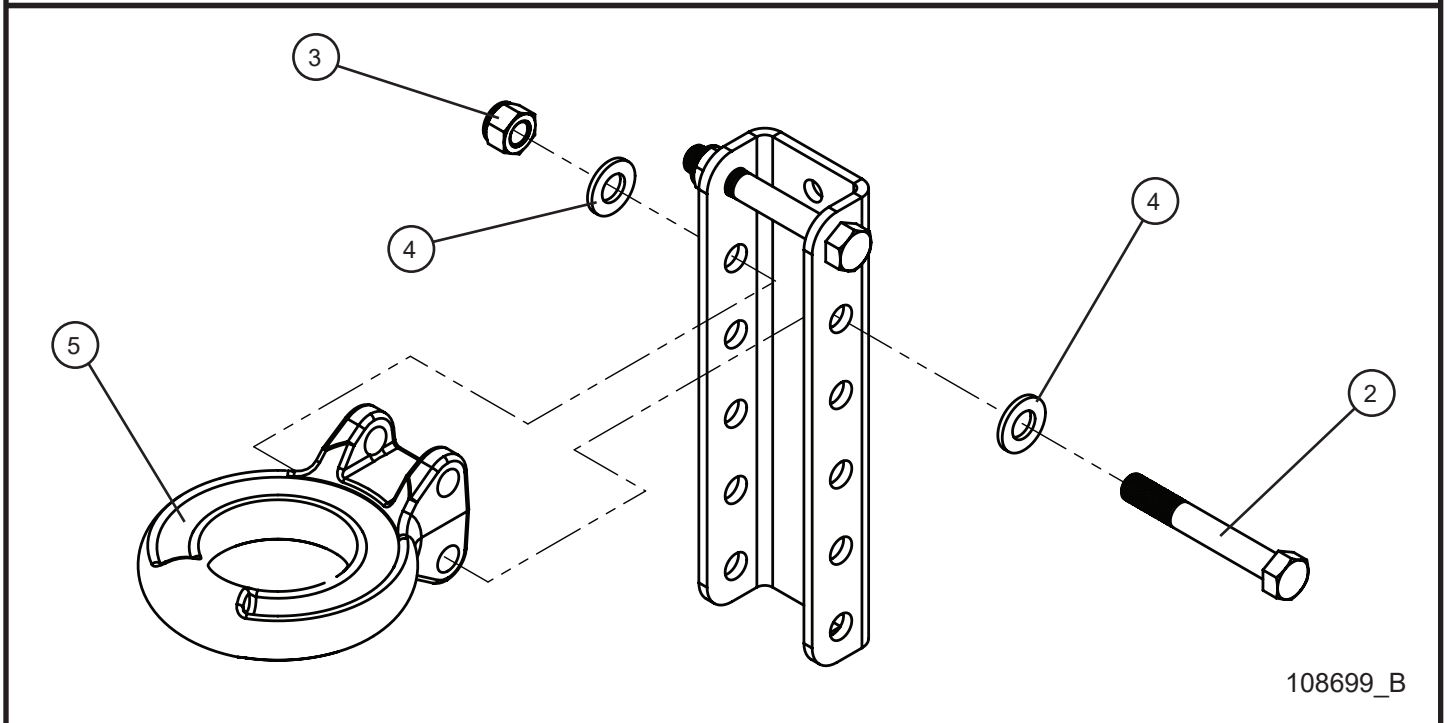
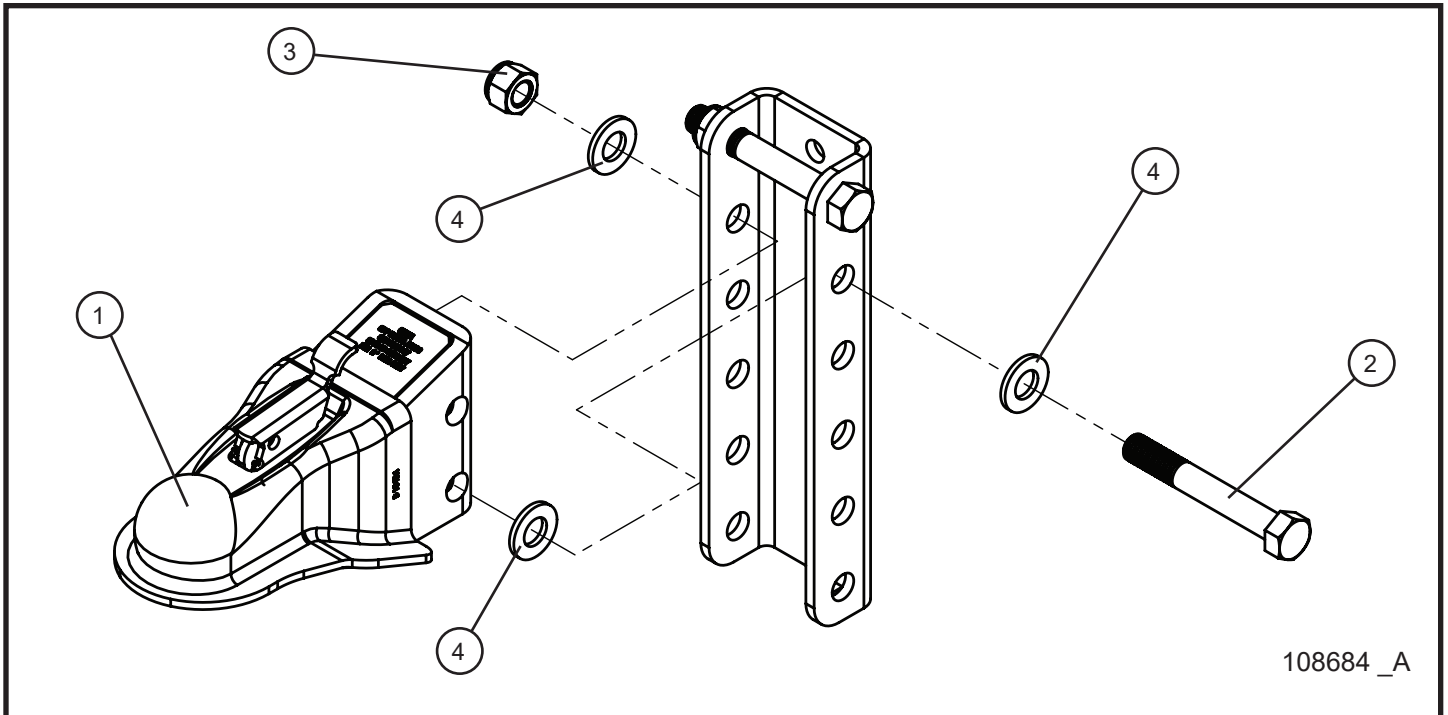
1.2 - Tongue Group

Item	Part No.	Part Description	Qty.
1	110005P	TONGUE WELDMENT MAXI-AIR 400	1
2	108727	TOP CRANK JACK TUBE	1
3	049042	SAFETY CHAIN CLASS IV 30 IN.	2
4	046185	1/2-13 x 1 1/2 HEX HEAD CS GR5 PL	2
5	047025	1/2 FLAT WASHER PL	4
6	044048	1/2-13 NYLOCK HEX NUT PL	2
7	***	M20 x 1.5 x 70 METRIC HEX BOLT	8
8	***	M20 FLAT WASHER	12
9	042087	M20 x 1.5 HEX NUT CLASS 10?	4

NS - Not Shown

*** - Contact Allmand for more information.

1.3 - Tongue Coupler Options



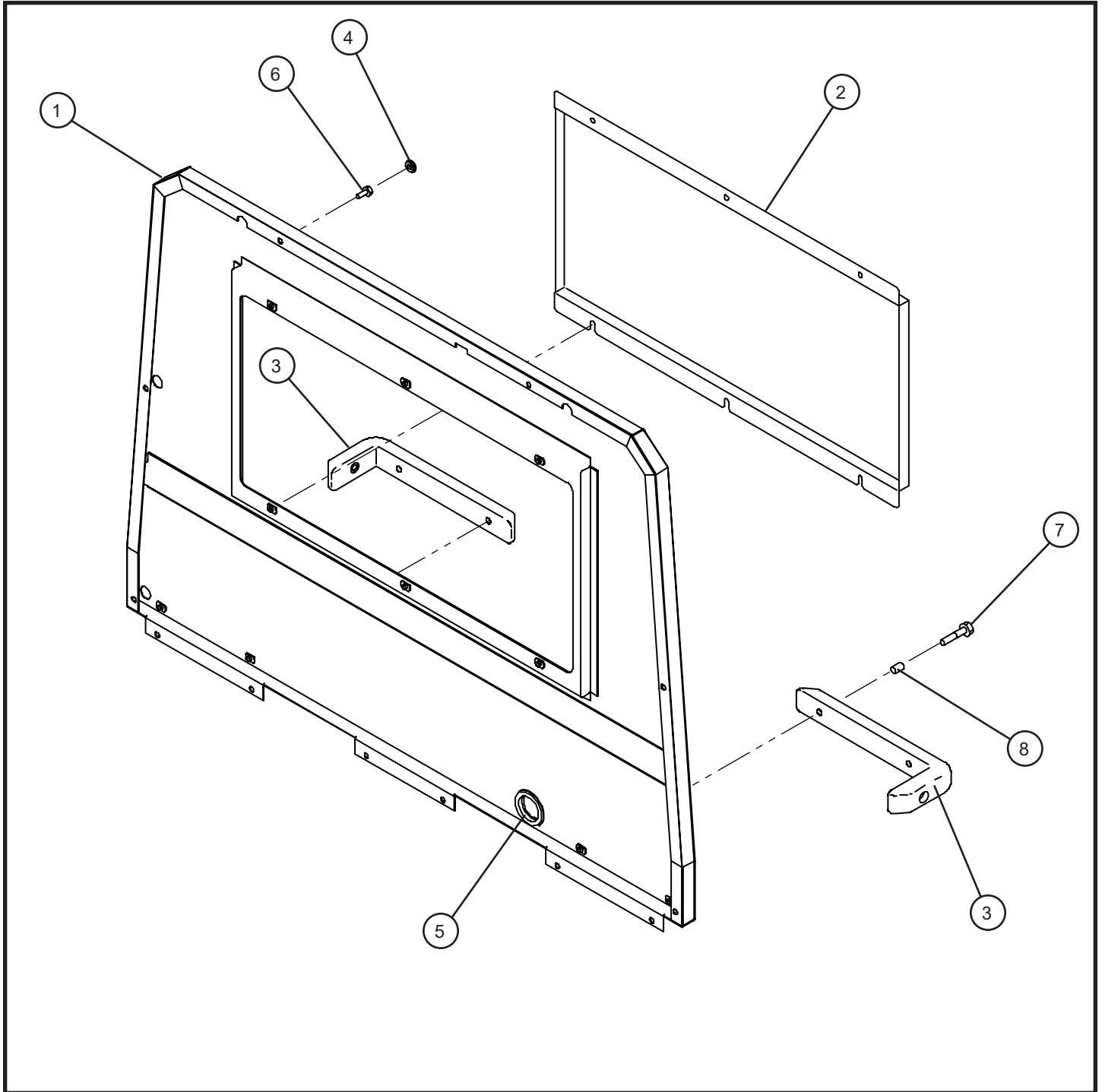
Maxi-Air 400 & 375DP

SN 31-000024 and UP

1.3 - Tongue Coupler Options

Item	Part No.	Part Description	Qty.
1	109976	COUPLER BALL 2.313 ADJUSTABLE STAMPED	1
2	046255	5/8-11 x 5 HEX HEAD CS GR5 PL	2
3	044053	5/8-11 NYLOCK HEX NUT PL	2
4	047031	5/8 FLAT WASHER HDND PL	3
5	106720	RING PINTLE 3.00 ADJUSTABLE	1

1.4 - Front Enclosure Panels



Maxi-Air 400 & 375DP

SN 31-000024 and UP

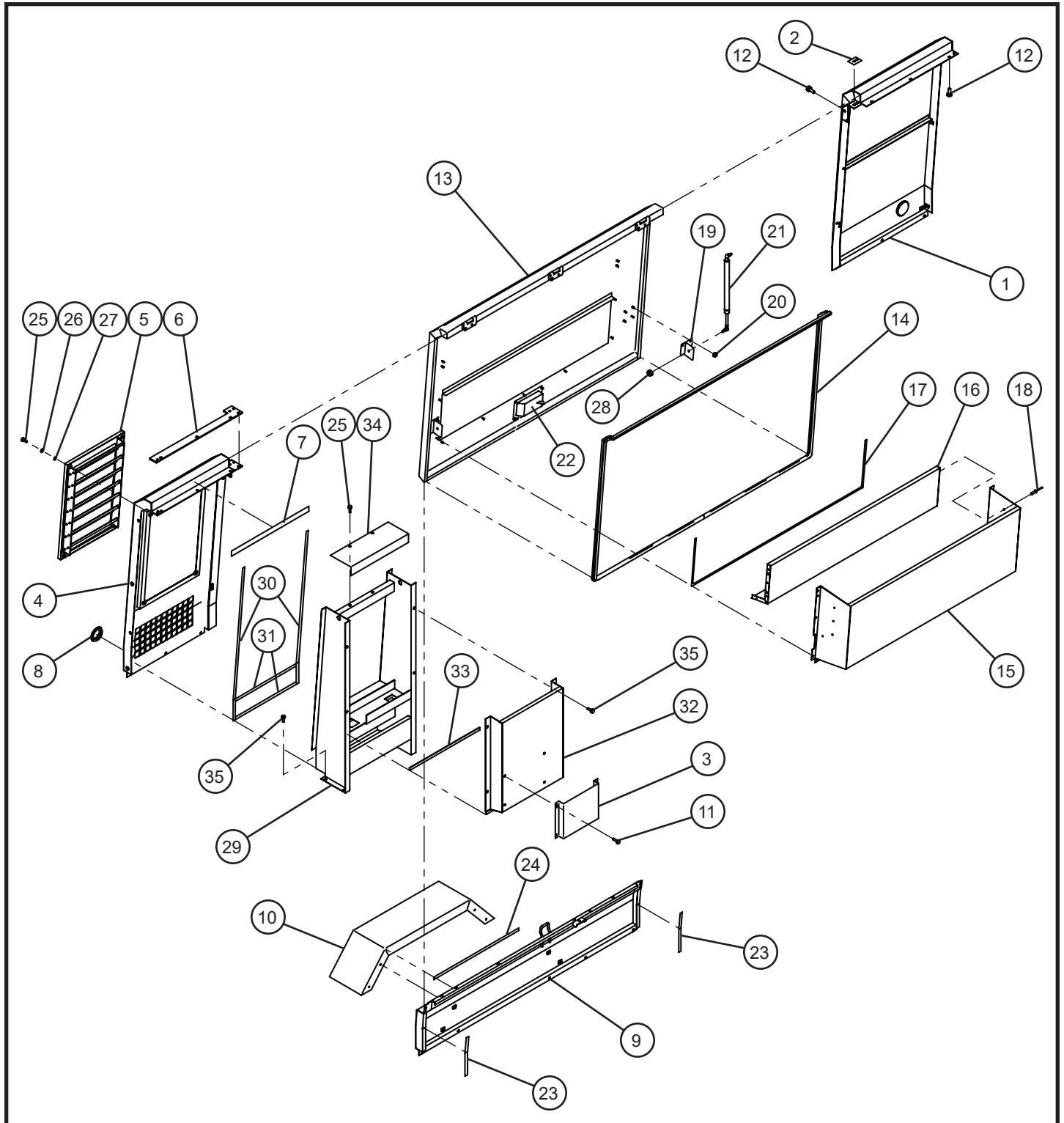
1.4 - Front Enclosure Panels

Item	Allmand No.	Part Description	Qty.
1	***	COVER	1
2	***	COVER	1
3	***	CUSHION RUBBER	4
4	114317	CAP	8
5	110370	GROMMET	1
6	***	BOLT, W/W	82
7	114245	BOLT, W/W	12
8	***	COLLAR	12

NS - Not Shown

*** - Contact Allmand for more information.

1.5 - Left Enclosure Panels and Door



Maxi-Air 400 & 375DP

SN 31-000024 and UP

1.5 - Left Enclosure Panels and Door

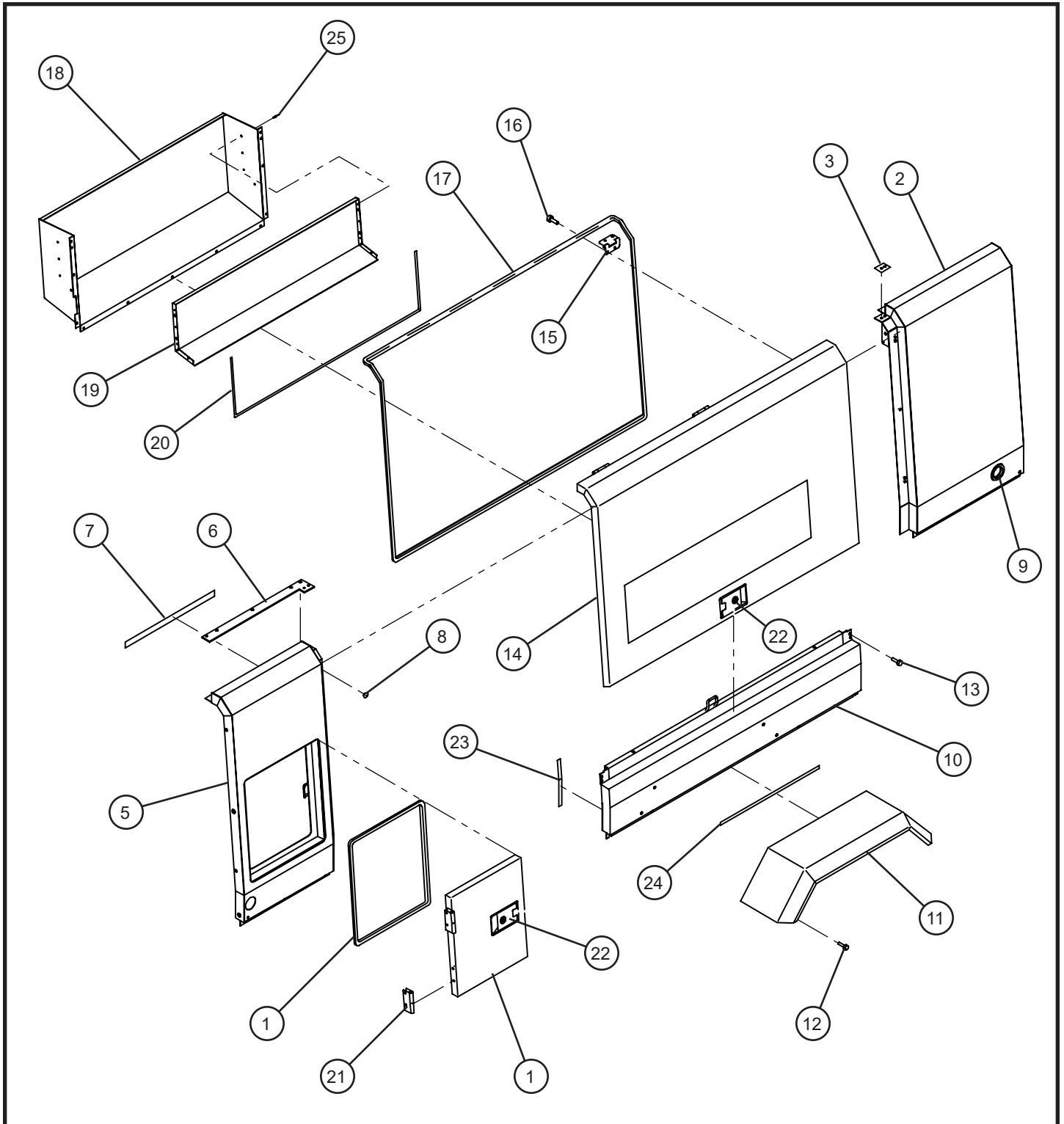
Item	Allmand No.	Part Description	Qty.
1	***	COVER	1
2	***	CUSHION RUBBER	2
3	***	TOOL BOX	1
4	***	COVER	1
5	***	DUCT	1
6	***	CUSHION RUBBER	1
7	***	SEAL RUBBER	2
8	110370	GROMMET	2
9	***	SIDE COVER	1
10	116884	FENDER	1
11	110514	FLANGE BOLT	4
12	***	BOLT, W/W	16
13	116886	DOOR	1
14	***	RUBBER SEAL	1
15	***	DUCT	1
16	***	DUCT	1
17	***	SEAL RUBBER	1
18	114251	BLIND RIVET	16
19	***	BRACKET	4
20	114248	HEXAGON FLANGE NUT	66
21	113015	DUMPER	4
22	110499	LATCH ASSEMBLY	1
23	***	SEAL RUBBER	2
24	***	SEAL RUBBER	1
25	114445	BOLT	4
26	113030	SPRING WASHER	4
27	113031	PLAIN WASHER	4
28	114249	HEXAGON FLANGE NUT	8
29	***	CASING	1
30	***	SEAL RUBBER	2
31	***	SEAL RUBBER	2
32	***	DUCT	1
33	114262	SEAL RUBBER	1
34	***	DUCT	1
35	110515	FLANGE BOLT	10

NS - Not Shown

*** - Contact Allmand for more information.

©2020 Allmand®

1.6 - Right Enclosure Panels and Doors



Maxi-Air 400 & 375DP

SN 31-000024 and UP

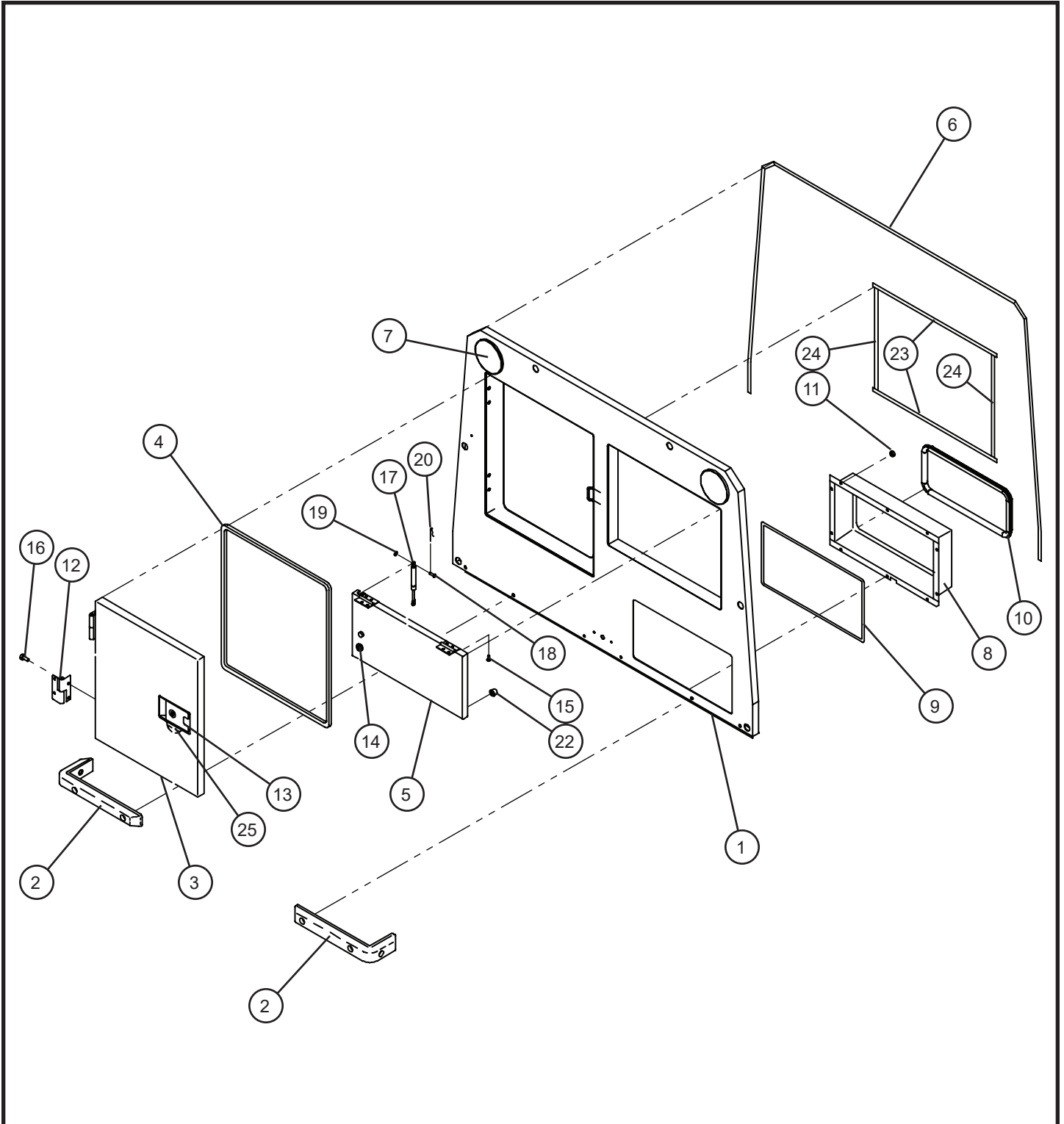
1.6 - Right Enclosure Panels and Doors

Item	Allmand No.	Part Description	Qty.
1	116882	DOOR	1
2	***	COVER	1
3	***	CUSHION RUBBER	1
4	114427	SEAL RUBBER	1
5	***	COVER	1
6	***	CUSHION RUBBER	1
7	***	SEAL RUBBER	1
8	114253	GROMMET	8
9	110370	GROMMET	2
10	***	SIDE COVER	1
11	116884	FENDER	1
12	***	BOLT, W/W	82
13	***	BOLT, W/W	16
14	116885	DOOR	1
15	116887	HINGE	6
16	114242	BOLT	24
17	***	SEAL RUBBER	2
18	***	DUCT	1
19	***	DUCT	1
20	***	SEAL RUBBER	1
21	112967	HINGE	4
22	110499	LATCH ASSEMBLY	2
23	***	SEAL RUBBER	2
24	***	SEAL RUBBER	1
25	114251	BLIND RIVET	16

NS - Not Shown

*** - Contact Allmand for more information.

1.7 - Rear Enclosure Panels and Doors



Maxi-Air 400 & 375DP

SN 31-000024 and UP

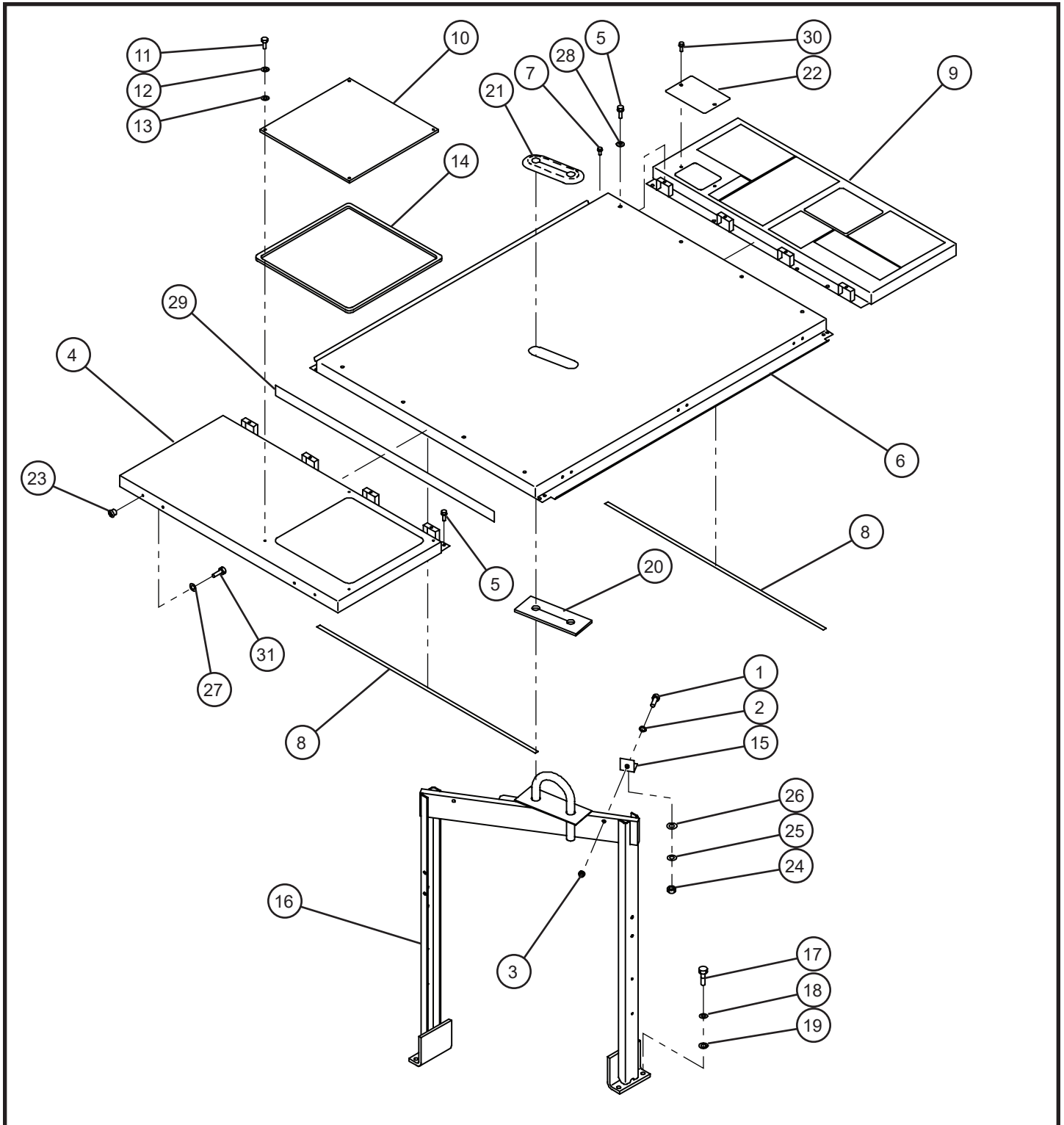
1.7 - Rear Enclosure Panels and Doors

Item	Allmand No.	Part Description	Qty.
1	***	COVER	1
2	***	CUSHION RUBBER	2
3	116881	DOOR	1
4	112964	SEAL RUBBER	1
5	116883	DOOR	1
6	***	SEAL RUBBER	1
7	112444	GROMMET	2
8	***	COVER	1
9	***	SEAL RUBBER	1
10	***	SEAL RUBBER	1
11	114248	HEXAGON FLANGE NUT	66
12	112967	HINGE	4
13	110499	LATCH ASS'Y	4
14	116888	LOCK	1
15	***	SCREW	4
16	***	BOLT	16
17	114383	DUMPER	1
18	114343	PIN	2
19	***	PLAIN WASHER	6
20	***	PIN	2
21	***	RUBBER CUSHION	1
22	112962	RUBBER	4
23	112956	SEAL RUBBER	2
24	***	SEAL RUBBER	2
25	112839	CUSHION RUBBER	4

NS - Not Shown

*** - Contact Allmand for more information.

1.8 - Top Enclosure Panels



Maxi-Air 400 & 375DP

SN 31-000024 and UP

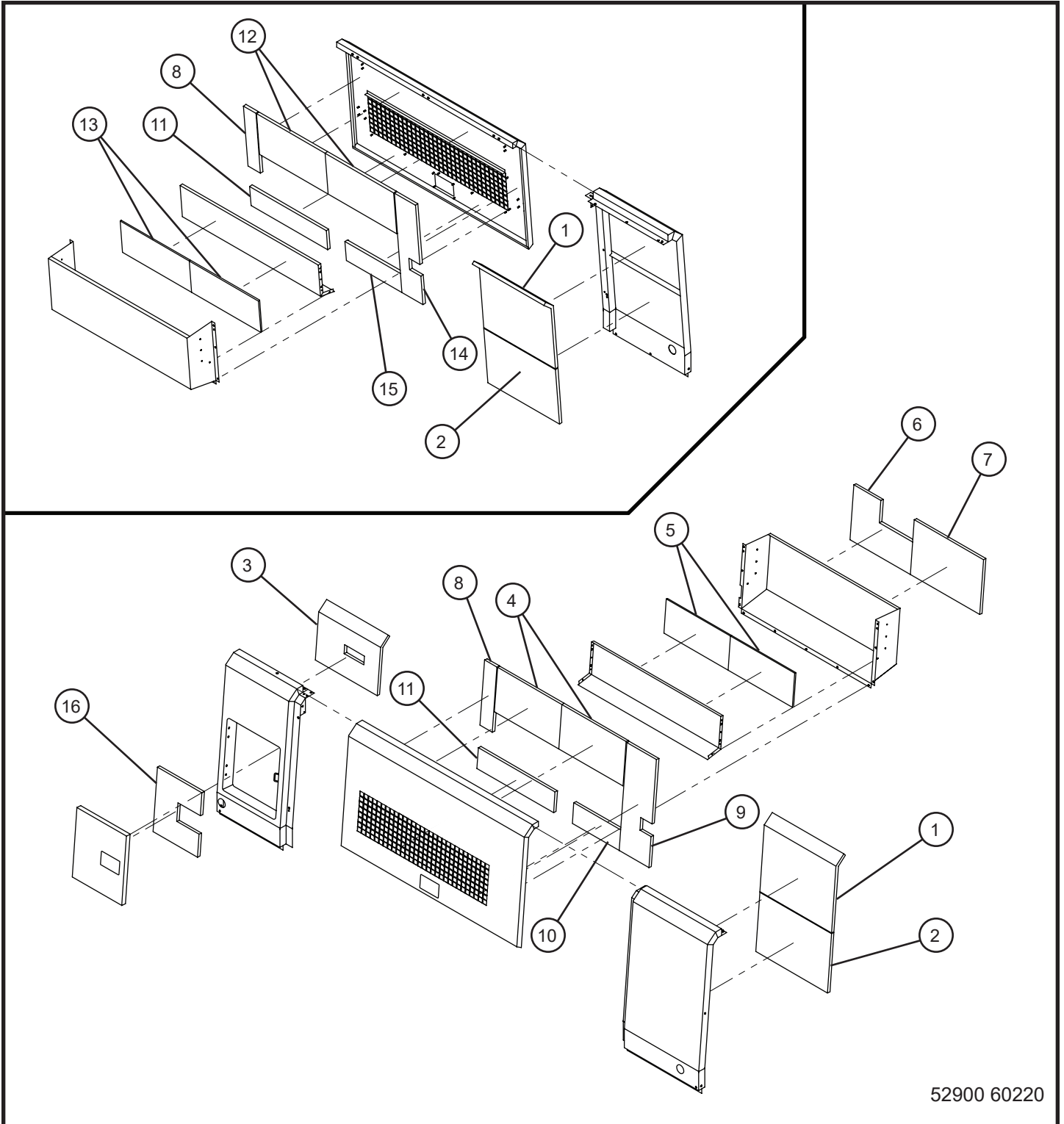
1.8 - Top Enclosure Panels

Item	Allmand No.	Part Description	Qty.
1	***	BOLT	2
2	***	PLAIN WASHER	2
3	***	NUT,W/W	2
4	***	TOP COVER	1
5	***	BOLT,W/W	82
6	***	TOP COVER	1
7	***	BOLT,W/W	16
8	***	SEAL RUBBER	2
9	***	TOP COVER	1
10	***	COVER	1
11	***	BOLT	4
12	***	WASHER	4
13	***	PLAIN WASHER	4
14	***	SEAL RUBBER	1
15	***	STAY	2
16	***	LIFTING BAIL	1
17	***	BOLT	4
18	***	SPRING WASHER	4
19	***	PLAIN WASHER	4
20	***	CUSHION RUBBER	1
21	***	CAP	1
22	110472	COVER	1
23	114310	NUT	4
24	***	NUT	2
25	***	SPRING WASHER	4
26	***	WASHER	2
27	***	PLAIN WASHER	6
28	***	WASHER	8
29	***	CUSHION RUBBER	1
30	114244	BOLT,W/W	2
31	114241	BOLT,W/W	4

NS - Not Shown

*** - Contact Allmand for more information

1.9 - Urethane Foam Linings (1 of 2)



52900 60220

Maxi-Air 400 & 375DP

SN 31-000024 and UP

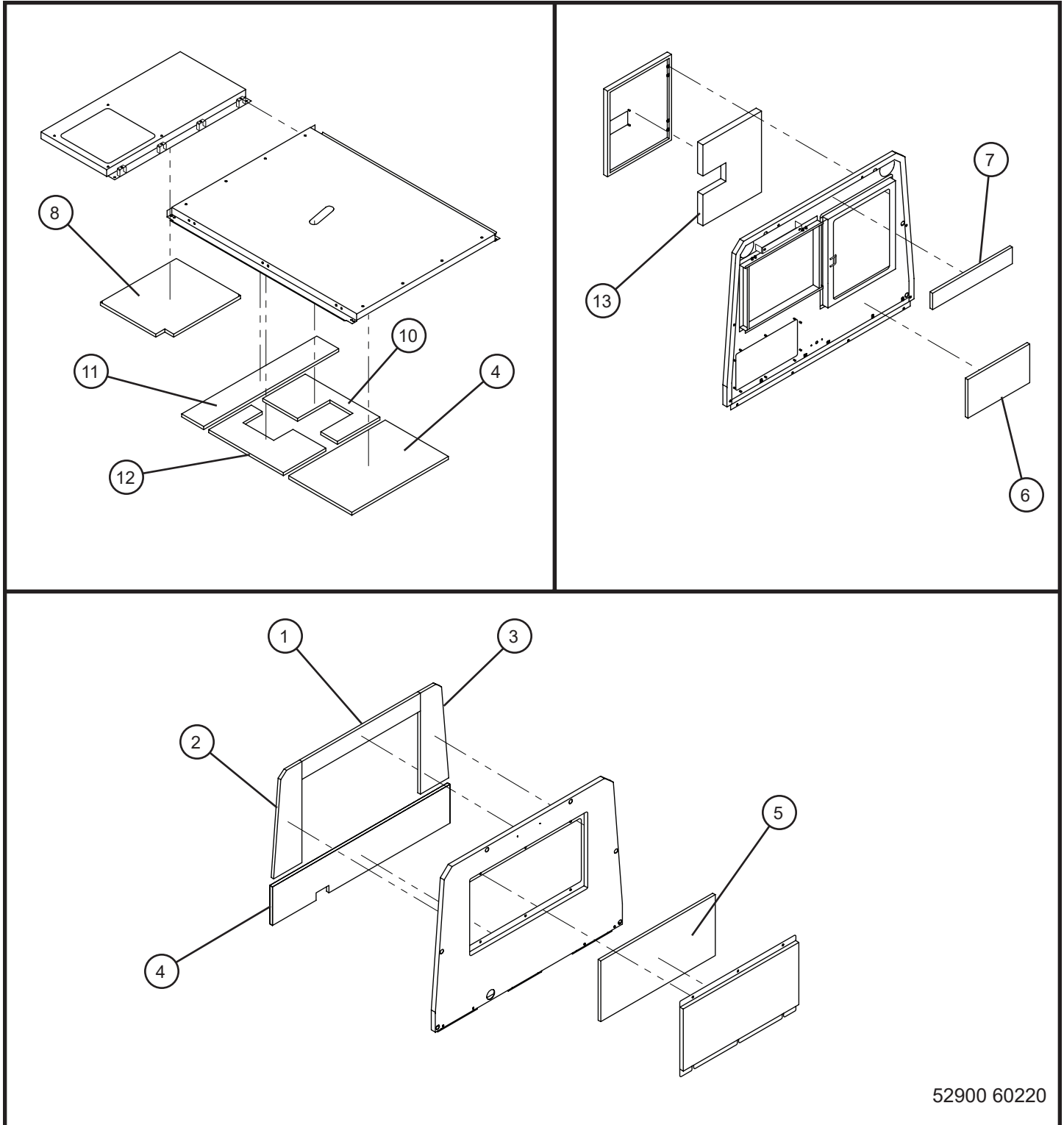
1.9 - Urethane Foam Linings (1 of 2)

Item	Allmand No.	Part Description	Qty.
--	***	URETHANE FOAM LINING KIT	1
1	***	LINING	2
2	***	LINING	2
3	***	LINING	1
4	***	LINING	2
5	***	LINING	2
6	***	LINING	1
7	***	LINING	1
8	***	LINING	2
9	***	LINING	1
10	***	LINING	1
11	***	LINING	2
12	***	LINING	2
13	***	LINING	2
14	***	LINING	1
15	***	LINING	1
16	***	LINING	1

NS - Not Shown

*** - Contact Allmand for more information.

1.9 - Urethane Foam Linings (2 of 2)



52900 60220

Maxi-Air 400 & 375DP

SN 31-000024 and UP

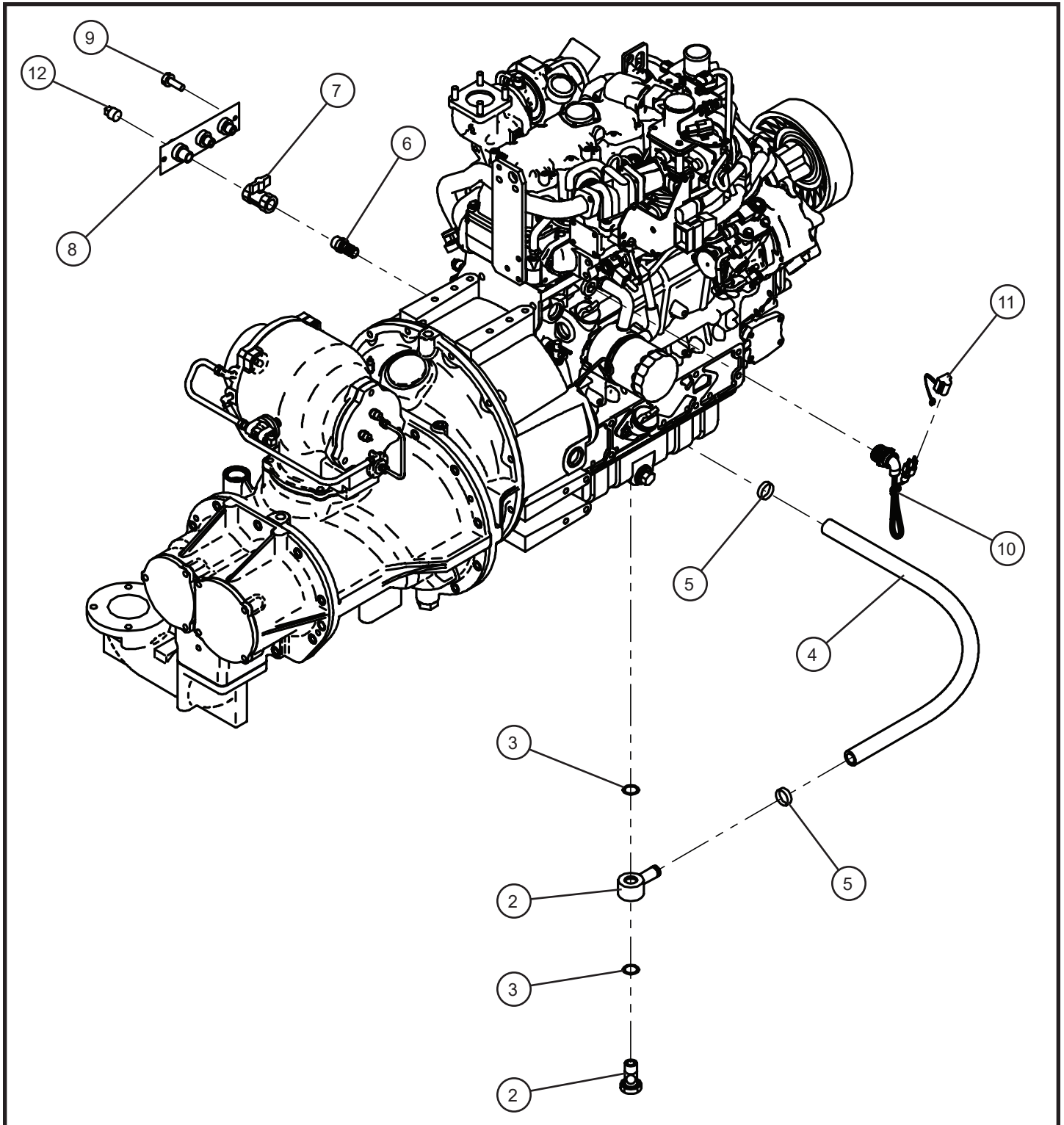
1.9 - Urethane Foam Linings (2 of 2)

Item	Allmand No.	Part Description	Qty.
--	***	URETHANE FOAM LINING KIT	1
1	***	LINING	1
2	***	LINING	1
3	***	LINING	1
4	***	LINING	1
5	***	LINING	1
6	***	LINING	1
7	***	LINING	1
8	***	LINING	1
9	***	LINING	1
10	***	LINING	1
11	***	LINING	1
12	***	LINING	1
13	***	LINING	1

NS - Not Shown

*** - Contact Allmand for more information.

2.1 - Maxi-Air 400/375DP Engine



Maxi-Air 400 & 375DP

SN 31-000024 and UP

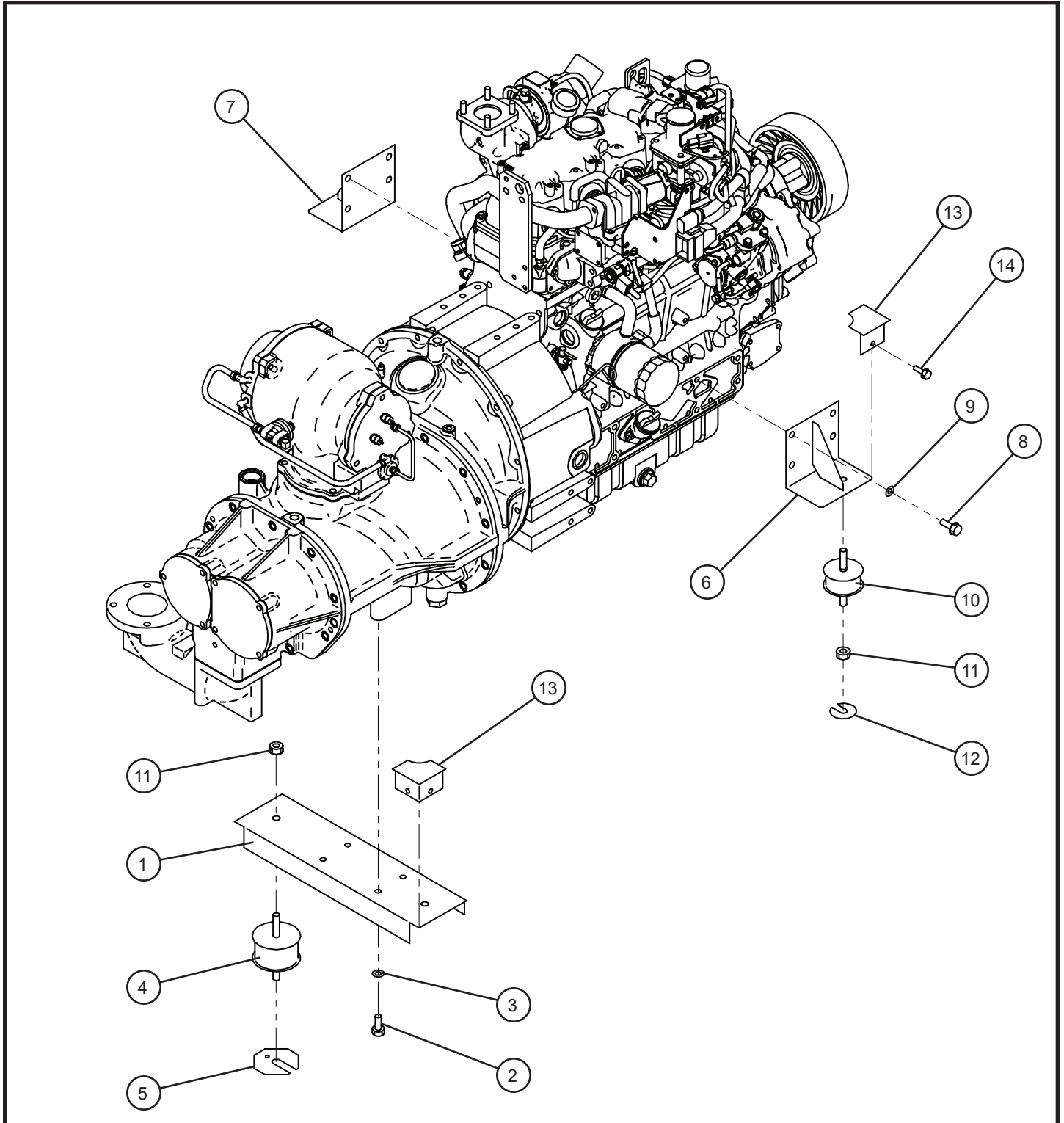
2.1 - Maxi-Air 400/375DP Engine

Item	Allmand No.	Part Description	Qty.
1	110702	RING CONNECTOR	1
2	111693	NIPPLE(BOLT)	1
3	110522	GASKET	2
4	***	HOSE	1
5	***	HOSE CLIP	2
6	***	JOINT	1
7	110856	VALVE	1
8	110764	JOINT	1
9	***	BOLT,W/W	2
10	352373	1" NPT / 400W / 120V BLOCK HEATER	1
11	105995	120V CORD END COVER	1
12	***	PLUG	1

NS - Not Shown

*** - Contact Allmand for more information.

2.2 - Engine Mounting



Maxi-Air 400 & 375DP

SN 31-000024 and UP

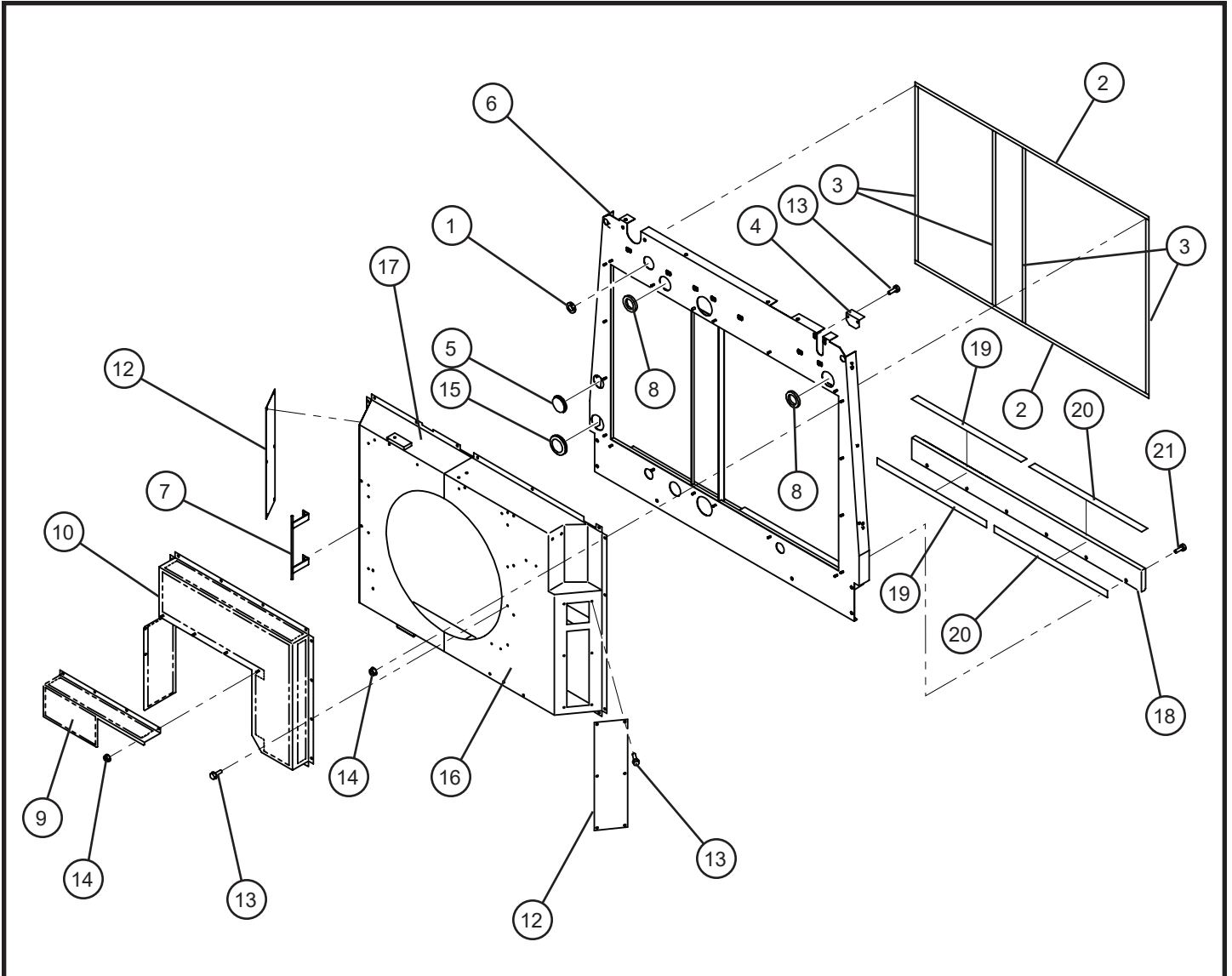
2.2 - Engine Mounting

Item	Allmand No.	Part Description	Qty.
1	***	BRACKET	1
2	***	BOLT	4
3	***	SPRING WASHER	4
4	***	VIBRATION ISOLATOR ASS'Y	2
5	***	SHIM	1
6	***	BRACKET	1
7	***	BRACKET	1
8	***	BOLT	8
9	***	SPRING WASHER	8
10	***	VIBRATION ISOLATOR ASS'Y	2
11	114250	NUT,W/W	8
12	***	SHIM	2
13	***	BRACKET	4
14	110515	FLANGE BOLT	8

NS - Not Shown

*** - Contact Allmand for more information.

2.3 - Engine Finger and Fan Guards



Maxi-Air 400 & 375DP

SN 31-000024 and UP

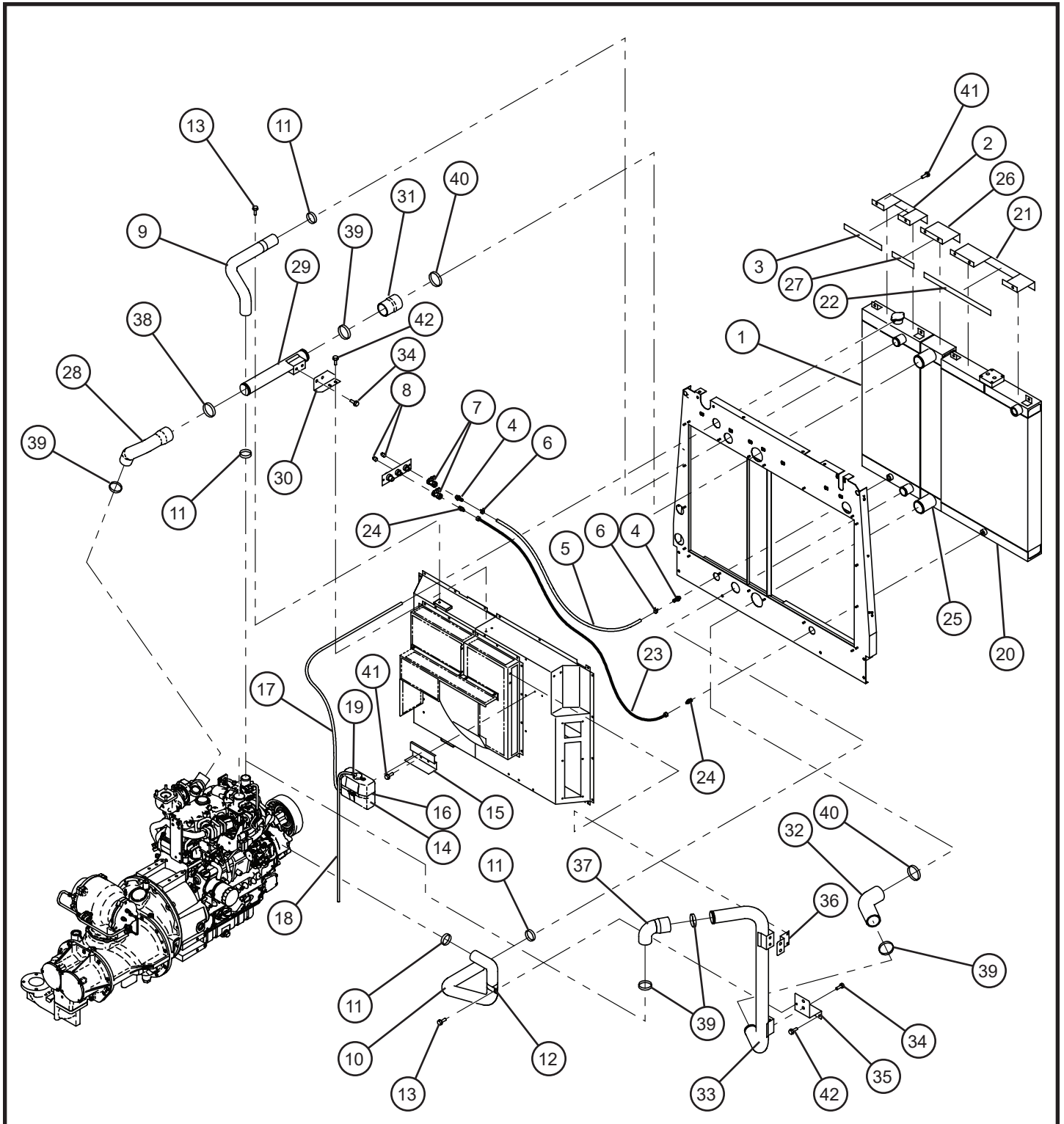
2.3 - Engine Finger and Fan Guards

Item	Allmand No.	Part Description	Qty.
1	***	GROMMET	1
2	***	SEAL RUBBER	2
3	***	SEAL RUBBER	4
4	***	COVER	1
5	***	GROMMET	1
6	***	COVER	1
7	***	GUIDE	1
8	***	CUSHION RUBBER	2
9	***	GUARD,FAN	1
10	***	GUARD,FAN	1
11	***	GUARD,FAN	1
12	***	PLATE	2
13	110514	FLANGE BOLT	35
14	114248	HEXAGON FLANGE NUT	24
15	110370	GROMMET	1
16	***	SHROUD,FAN	1
17	***	SHROUD,FAN	1
18	***	COVER	1
	***	COVER	1
19	***	SEAL RUBBER	2
20	***	SEAL RUBBER	2
21	110515	FLANGE BOLT	25

NS - Not Shown

*** - Contact Allmand for more information.

2.4 - Engine Cooling Group



Maxi-Air 400 & 375DP

SN 31-000024 and UP

2.4 - Engine Cooling Group

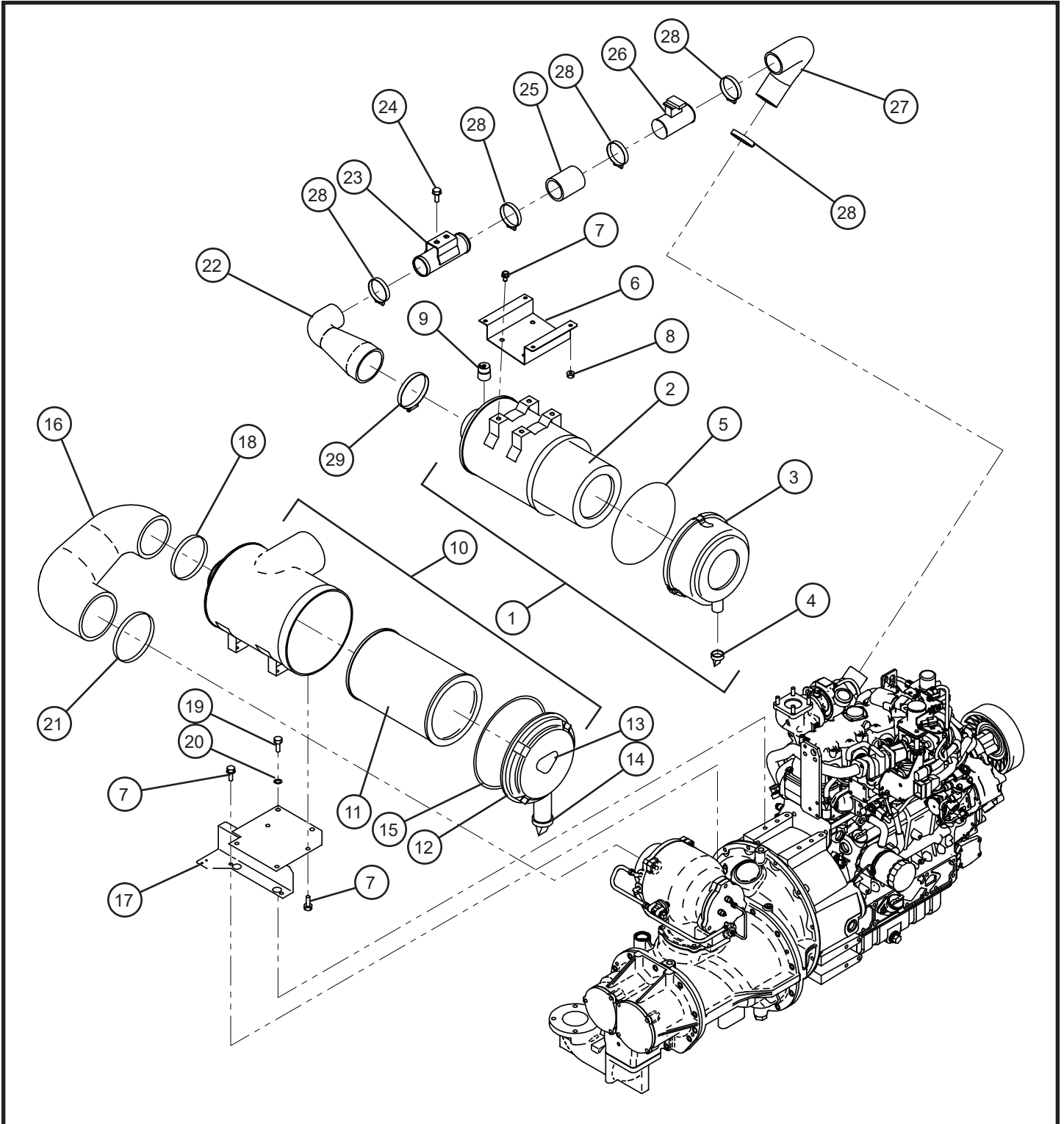
Item	Allmand No.	Part Description	Qty.
1	116857	RADIATOR	1
2	***	BRACKET	1
3	***	SEAL RUBBER	1
4	***	JOINT	2
5	***	HOSE	1
6	***	HOSE CLIP	2
7	***	VALVE	2
8	***	PLUG	2
9	***	HOSE	1
10	***	HOSE	1
11	***	HOSE CLIP	4
12	***	CLIP	3
13	112968	FLANGE BOLT	3
14	110516	RESERVE TANK ASS'Y	1
15	***	BRACKET	1
16	110778	HOSE CLIP	1
17	***	HOSE	1
18	***	HOSE	1
19	110520	HOSE CLIP	3
20	116858	OIL COOLER	1
21	***	BRACKET	1
22	***	SEAL RUBBER	1
23	***	NYLON TUBE,W/N	1
24	***	NIPPLE	2
25	116859	INTERCOOLER	1
26	***	BRACKET	1
27	***	SEAL RUBBER	1
28	***	HOSE	1
29	***	PIPE	1
30	***	BRACKET	1
31	110747	HOSE	1
32	***	HOSE	1
33	***	PIPE	1
34	***	BOLT,W/W	6
35	***	BRACKET	1
36	***	BRACKET	1
37	***	HOSE	1
38	***	HOSE CLIP	1
39	***	HOSE CLIP	5
40	***	HOSE CLIP	2
41	110514	FLANGE BOLT	35
42	110515	FLANGE BOLT	25
NS	***	CUSHION	3

NS - Not Shown

*** - Contact Allmand for more information.

©2020 Allmand®

2.5 - Engine Air Intake Group



Maxi-Air 400 & 375DP

SN 31-000024 and UP

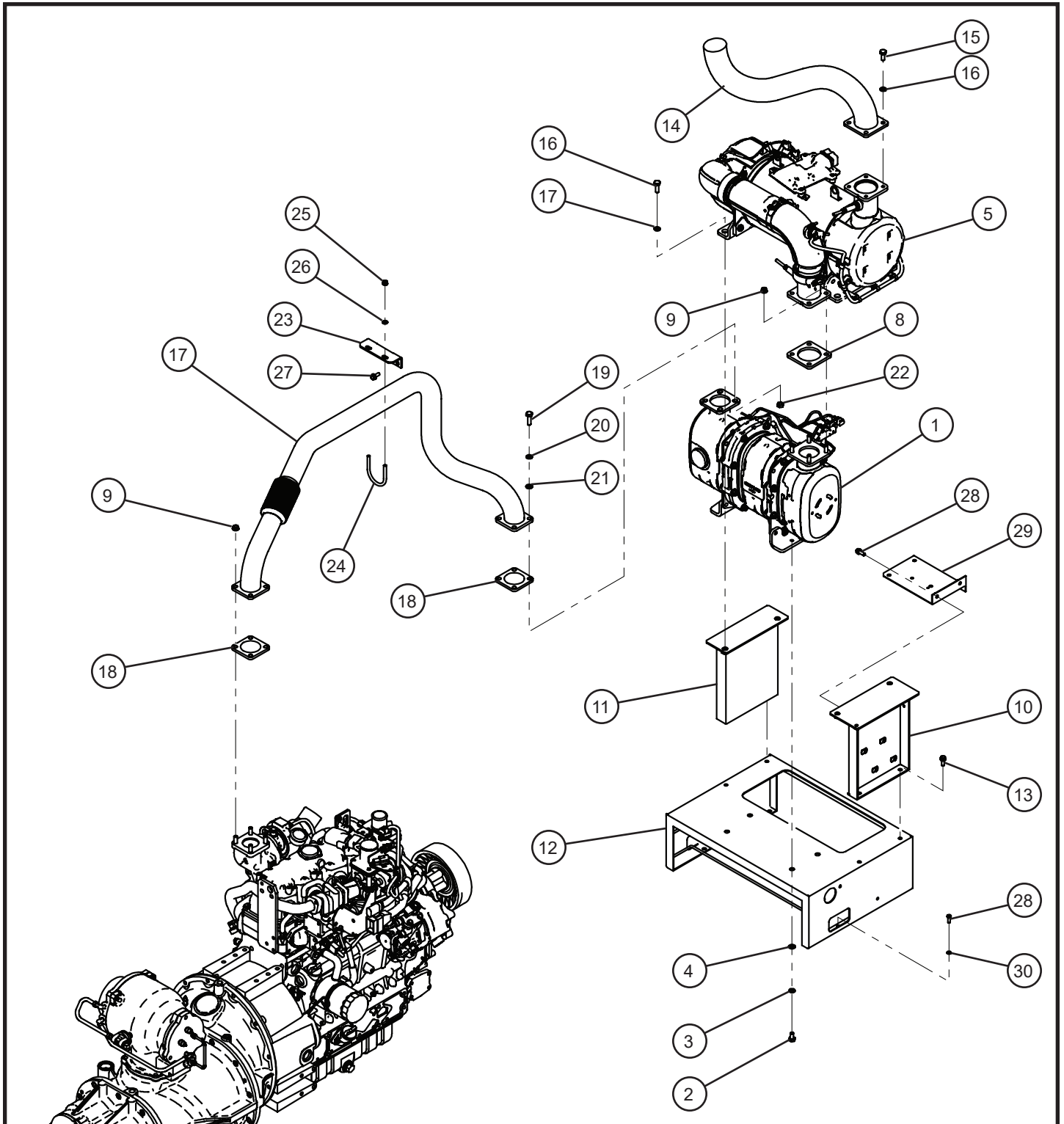
2.5 - Engine Air Intake Group

Item	Allmand No.	Part Description	Qty.
1	116849	AIR FILTER ASS'Y	1
2	112898	ELEMENT	1
3	***	CUP	1
4	113049	VACUATOR VALVE	1
5	***	O-RING	1
6	***	BRACKET	1
7	***	BOLT,W/W	10
8	***	NUT,W/W	4
9	110740	FILTER,SERVICE INDICATOR	1
10	110879	AIR FILTER ASS'Y	1
11	110880	ELEMENT (OUTER)	1
12	111013	CUP	1
13	***	PLATE(TOP)	1
14	111014	VACUATOR VALVE	1
15	111016	O-RING	1
16	116850	HOSE	1
17	***	BRACKET	1
18	***	HOSE CLIP	1
19	***	BOLT	2
20	***	SPRING WASHER	2
21	***	HOSE CLIP	1
22	***	HOSE	1
23	***	PIPE	1
24	***	BOLT,W/W	2
25	***	HOSE	1
26	***	PIPE	1
27	***	HOSE	1
28	112992	HOSE CLIP	5
29	***	HOSE CLIP	1

NS - Not Shown

*** - Contact Allmand for more information.

2.6 - Engine Exhaust Group



Maxi-Air 400 & 375DP

SN 31-000024 and UP

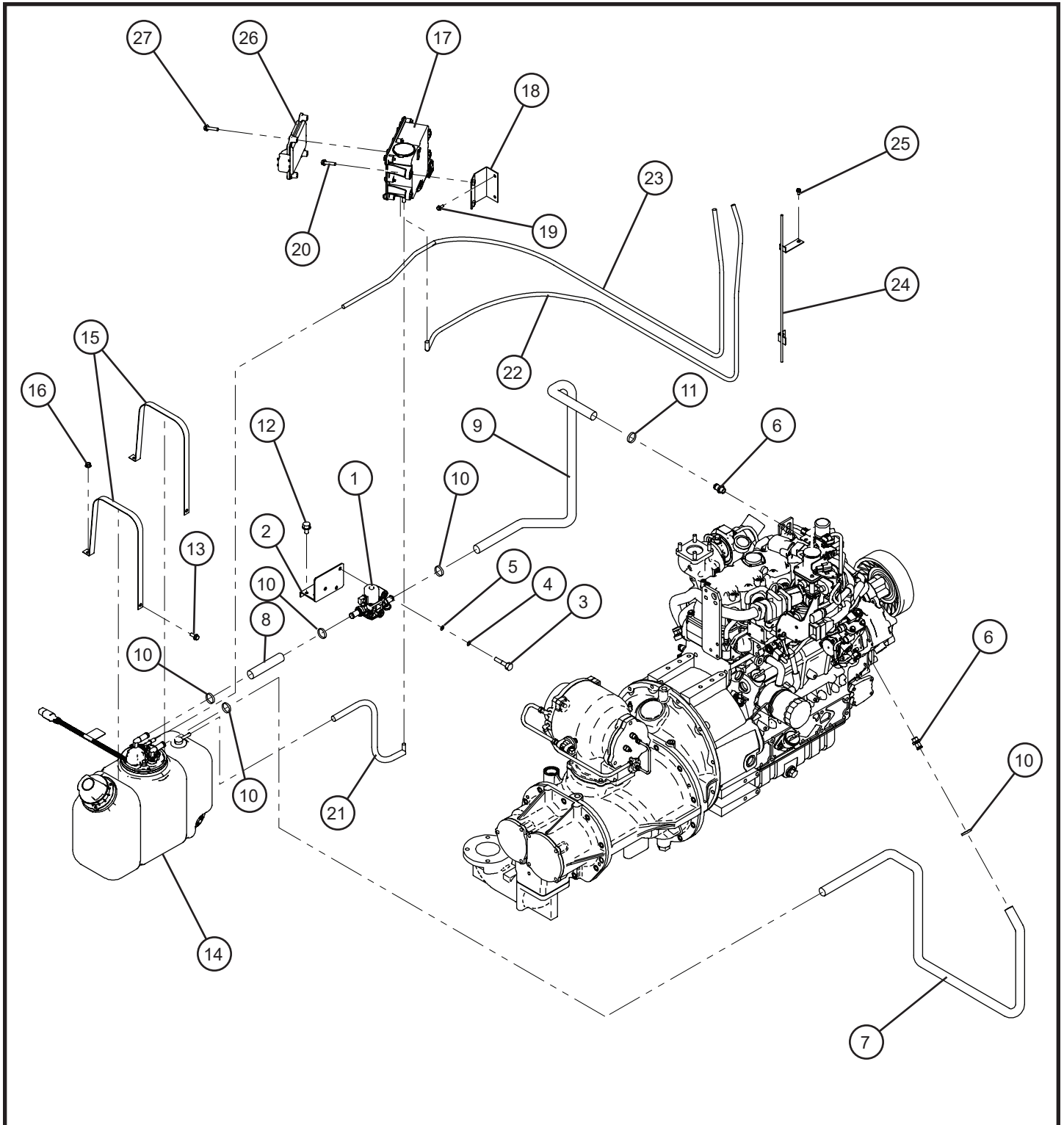
2.6 - Engine Exhaust Group

Item	Allmand No.	Part Description	Qty.
1	116870	EXHAUST FILTER	1
2	***	BOLT	4
3	***	SPRING WASHER	4
4	***	PLAIN WASHER	4
5	***	CATALYTIC CONVERTER	1
6	***	BOLT,W/W	4
7	***	WASHER	4
8	***	GASKET	2
9	***	HEXAGON FLANGE NUT	8
10	***	BRACKET	1
11	***	BRACKET	1
12	***	BRACKET	1
	***	BRACKET	1
13	***	BOLT,W/W	4
14	***	PIPE,EXHAUST	1
15	***	BOLT	4
16	***	SPRING WASHER	4
17	***	PIPE,EXHAUST	1
18	***	GASKET	2
19	***	BOLT	4
20	***	SPRING WASHER	4
21	***	PLAIN WASHER	8
22	***	NUT	4
23	***	BRACKET	1
24	***	U-BOLT	1
25	***	NUT,W/W	2
26	***	PLAIN WASHER	2
27	110515	FLANGE BOLT	2
28	***	BOLT,W/W	4
	110515	FLANGE BOLT	4
29	***	BRACKET	1
30	***	WASHER	4

NS - Not Shown

*** - Contact Allmand for more information

2.7 - Engine DEF System Group



Maxi-Air 400 & 375DP

SN 31-000024 and UP

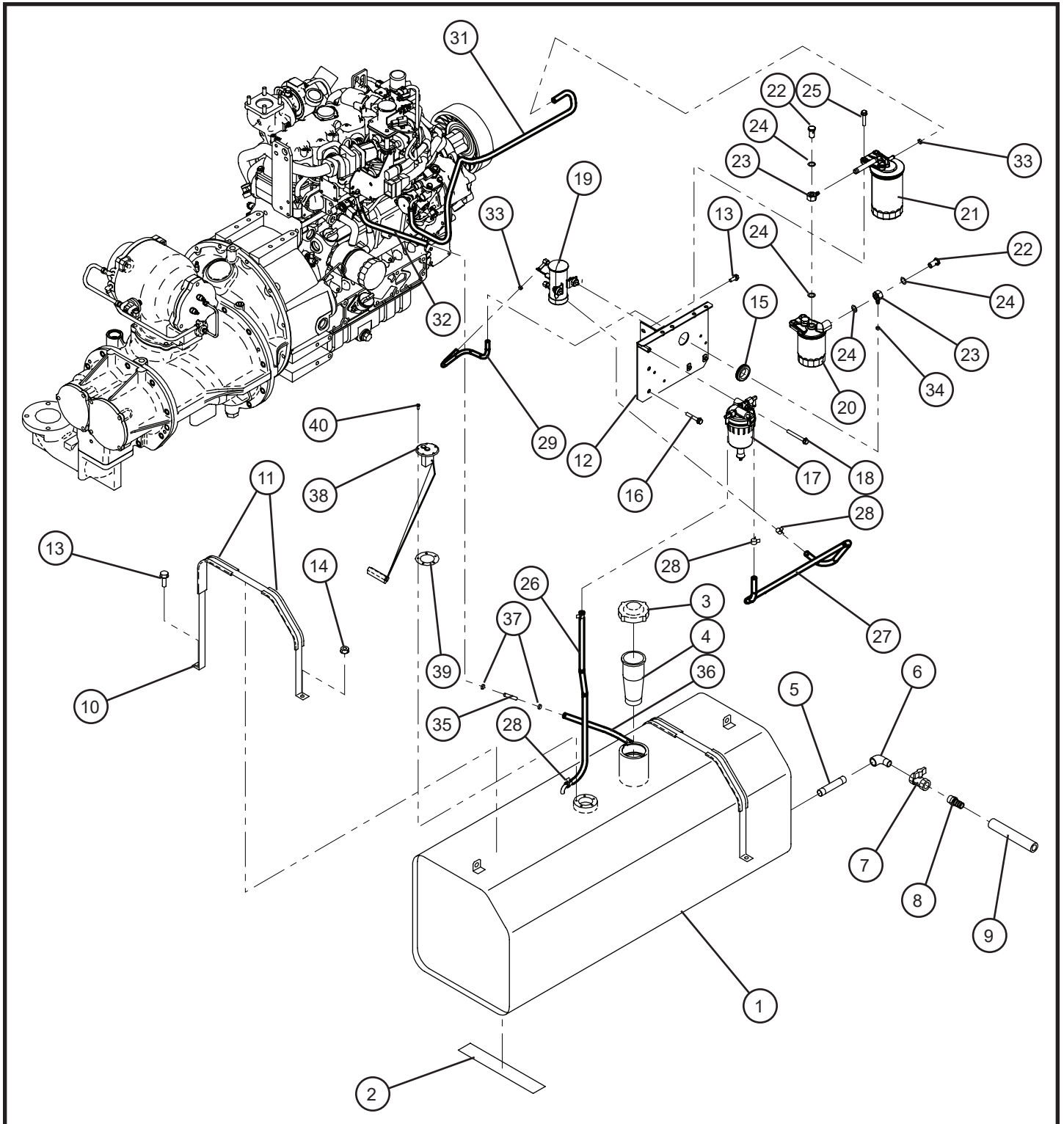
2.7 - Engine DEF System Group

Item	Allmand No.	Part Description	Qty.
1	***	STOP VALVE	1
2	***	BRACKET	1
3	***	BOLT	3
4	***	SPRING WASHER	3
5	***	PLAIN WASHER	3
6	***	JOINT	2
7	***	HOSE	1
8	***	HOSE	1
9	***	HOSE	1
10	***	HOSE CLIP	6
11	***	HOSE CLIP	4
12	***	BOLT, W/W	3
13	110515	FLANGE BOLT	4
14	***	DEF TANK	1
15	***	BELT	2
16	114249	HEXAGON FLANGE NUT	2
17	***	DEF PUMP	1
18	***	BRACKET	1
19	110514	FLANGE BOLT	2
20	***	FLANGE BOLT	4
21	***	HOSE	1
22	***	HOSE	1
23	***	HOSE	1
24	***	GUIDE	1
	***	GUIDE	1
25	***	BOLT,W/W	2
	***	BOLT,W/W	2
26	***	CONTROLLER(ACU)	1
27	***	BOLT	4
	***	PLAIN WASHER	4

NS - Not Shown

*** - Contact Allmand for more information.

2.8 - Fuel Tank and Fuel Lines



Maxi-Air 400 & 375DP

SN 31-000024 and UP

2.8 - Fuel Tank and Fuel Lines

Item	Allmand No.	Part Description	Qty.
1	***	FUEL TANK	1
2	***	CUSHION RUBBER	2
3	110958	CAP	1
4	110496	STRAINER	1
5	***	GAS PIPE	1
6	110854	ELBOW	1
7	110856	VALVE	1
8	***	JOINT	1
9	***	HOSE	1
10	***	BELT	2
11	***	CUSHION	4
12	***	BRACKET	1
13	110515	FLANGE BOLT	4
14	114249	HEXAGON FLANGE NUT	2
15	***	EYELET RING	1
16	***	FLANGE BOLT	2
17	116871	SEDIMENTER	1
18	***	FLANGE BOLT	1
19	***	FUEL PUMP	1
20	116872	FILTER ASS'Y	1
21	116873	FILTER ASS'Y	1
22	***	NIPPLE	1
23	***	RING CONNECTOR	2
24	***	GASKET	4
25	112968	FLANGE BOLT	4
26	***	HOSE	1
27	***	HOSE	1
28	110520	HOSE CLIP	4
29	***	HOSE	1
30	***	HOSE	1
31	***	HOSE	1
32	***	HOSE	1
33	***	HOSE CLIP	6
34	***	HOSE CLIP	2
35	***	PIPE	1
36	***	HOSE	1
37	***	HOSE CLIP	2
38	116875	SENDING UNIT	1
39	***	GASKET	1
40	***	SCREW,W/W	5

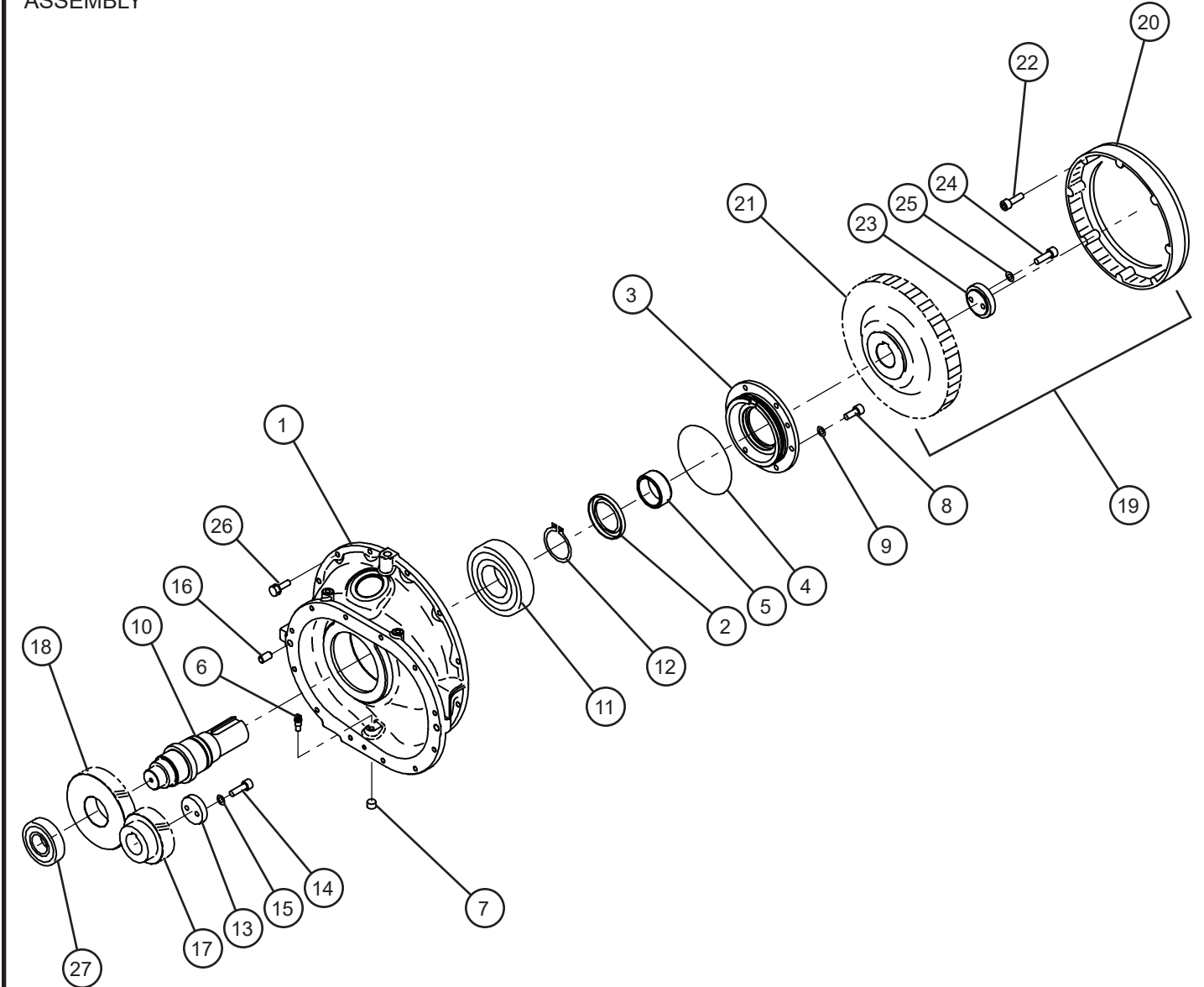
NS - Not Shown

*** - Contact Allmand for more information.

©2020 Allmand®

3.1 - Air End (1 of 2)

AIR END POWER SIDE
ASSEMBLY



Maxi-Air 400 & 375DP

SN 31-000024 and UP

3.1 - Air End (1 of 2)

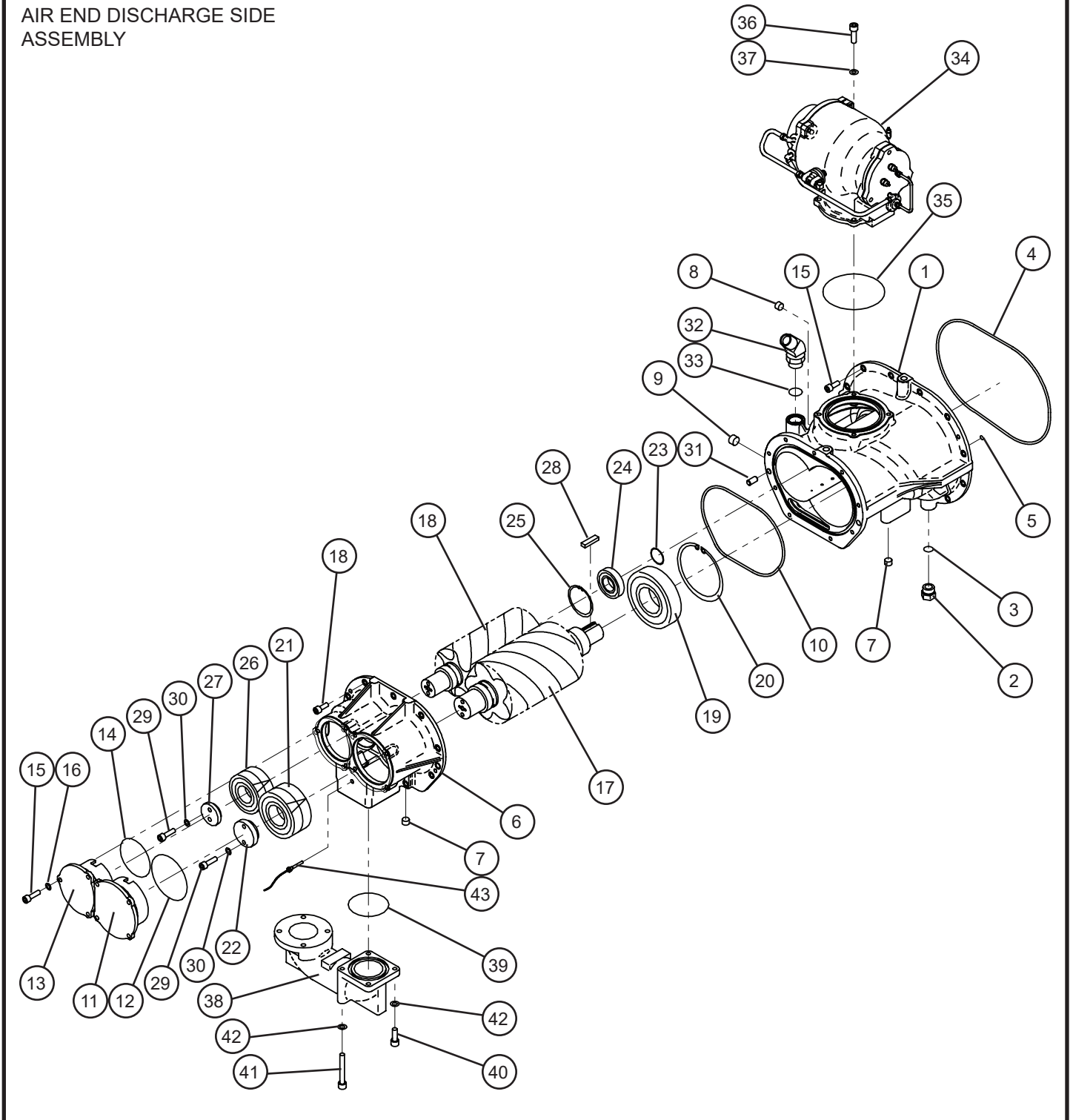
Item	Allmand No.	Part Description	Qty.
1	***	POWER SIDE CASING	1
2	***	OIL SEAL	1
3	***	COVER, OIL SEAL	1
4	***	O-RING	1
5	***	COLLAR	1
6	***	NOZZLE	1
7	***	PLUG	2
8	***	SOCKET BOLT	32
9	***	SPRING WASHER	13
10	***	SHAFT	1
11	***	BEARING	1
12	***	SNAP RING	1
13	***	PLATE	1
14	***	SOCKET BOLT	6
15	***	LOCK WASHER	6
16	***	PIN	4
17	***	MAXI-AIR 400 DRIVEN GEAR	1
	***	MAXI-AIR 375 DP DRIVEN GEAR	1
18	***	MAXI-AIR 400 DRIVE GEAR	1
	***	MAXI-AIR 375 DP DRIVE GEAR	1
19	***	COUPLING COMPLETE	1
20	***	COUPLING, DRIVE	1
21	***	COUPLING, DRIVEN	1
22	***	BOLT	8
23	***	PLATE	1
24	***	SOCKET BOLT	2
25	***	LOCK WASHER	2
26	***	BOLT,W/W	12
27	***	BEARING	1
NS	***	KEY	1

NS - Not Shown

*** - Contact Allmand for more information.

3.1 - Air End (2 of 2)

AIR END DISCHARGE SIDE
ASSEMBLY



Maxi-Air 400 & 375DP

SN 31-000024 and UP

3.1 - Air End (2 of 2)

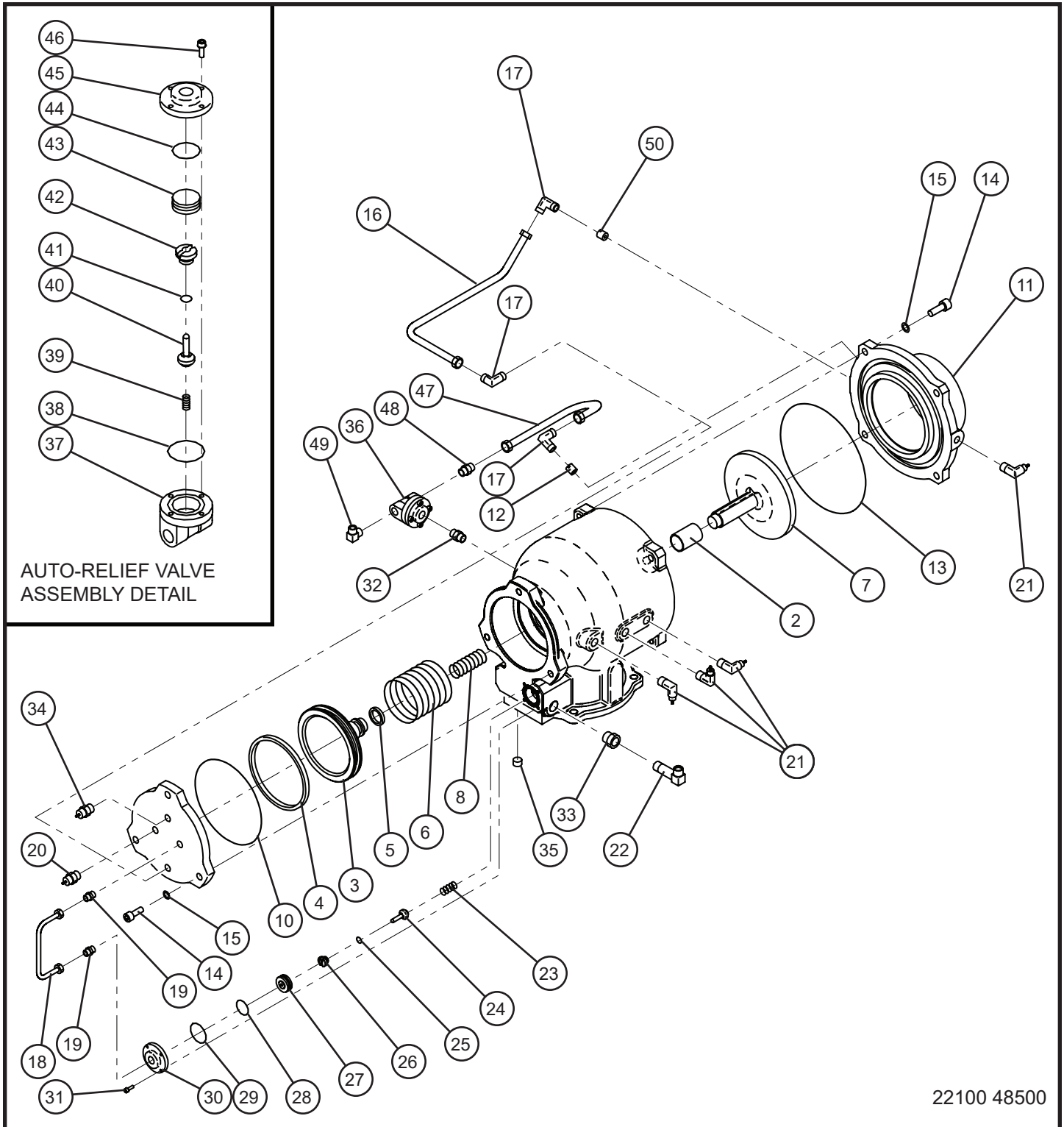
Item	Allmand No.	Part Description	Qty.
1	***	CYLINDER, 1ST	1
2	***	PLUG	1
3	111343	O-RING	1
4	***	O-RING	1
5	***	O-RING	1
6	***	CASING, DISCHARGE	1
7	***	PLUG	7
8	***	PLUG	2
9	***	PLUG	1
10	***	O-RING	1
11	***	END COVER	1
12	***	O-RING	1
13	***	END COVER	1
14	***	O-RING	1
15	***	SOCKET BOLT	32
16	***	SPRING WASHER	13
17	***	ROTOR, MALE	1
18	***	ROTOR, FEMALE	1
19	***	BEARING, ROTOR	1
20	***	SNAP RING	1
21	***	BEARING, COMPLETE	1
22	***	PLATE	1
23	***	SNAP RING	1
24	***	BEARING, ROTOR	1
	***	BEARING, ROTOR	1
25	***	SNAP RING	1
26	***	BEARING, COMPLETE	1
27	***	PLATE	1
28	***	KEY	1
29	***	SOCKET BOLT	6
30	***	LOCK WASHER	6
31	***	PIN	4
32	***	NIPPLE ELBOW	1
33	111672	O-RING	1
34	***	UNLOADER ASSEMBLY	1
35	***	O-RING	1
36	***	SOCKET BOLT	4
37	***	LOCK WASHER	4
38	***	DISCHARGE ELBOW	1
39	***	O-RING	1
40	***	SOCKET BOLT	2
41	***	SOCKET BOLT	2
42	***	SPRING WASHER	4
43	116874	THERMO SENSOR	1
NS	***	SOCKET BOLT	2

NS - Not Shown

*** - Contact Allmand for more information.

©2020 Allmand®

3.2 - Unloader



22100 48500

Maxi-Air 400 & 375DP

SN 31-000024 and UP

3.2 - Unloader

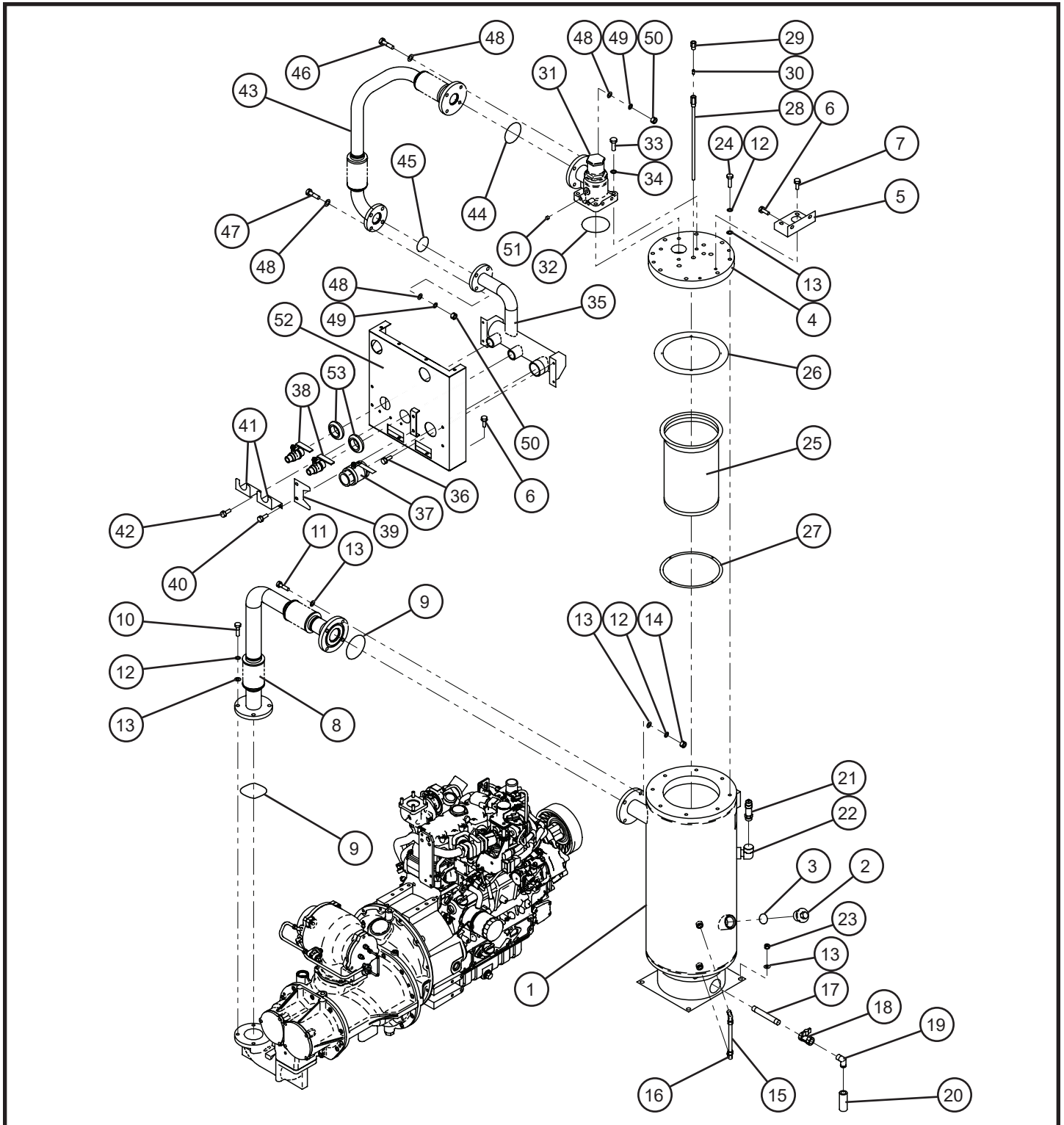
Item	Allmand No.	Part Description	Qty.
1	***	BODY,UNLOADER	1
2	***	BUSHING	1
3	***	PISTON,UNLOADER	1
4	***	O-RING	1
5	***	O-RING	1
6	***	SPRING	1
7	***	VALVE,UNLOADER	1
8	***	SPRING	1
9	***	COVER,UNLOADER	1
10	***	O-RING	1
11	***	COVER,UNLOADER	1
12	***	ORIFICE	1
13	***	O-RING	1
14	***	SOCKET BOLT	7
15	***	LOCK WASHER	7
16	***	PIPE	1
17	***	NIPPLE ELBOW	3
18	***	PIPE	1
19	***	NIPPLE	2
20	110822	NIPPLE	1
21	110582	NIPPLE ELBOW	4
22	***	NIPPLE ELBOW	1
23	***	SPRING	1
24	111731	NEEDLE VALVE	1
25	111670	O-RING	1
26	111732	VALVE SEAT	1
27	***	PISTON	1
28	111671	O-RING	1
29	111733	O-RING	1
30	***	COVER	1
31	***	SOCKET BOLT,W/W	4
32	110602	NIPPLE	1
33	***	BUSH	1
34	110583	NIPPLE	1
35	***	PLUG	1
36	***	AUTO-RELIEF VALVE ASS'Y	1
37	***	BODY	1
38	111733	O-RING	1
39	***	SPRING	1
40	111731	NEEDLE VALVE	1
41	111670	O-RING	1
42	111732	VALVE SEAT	1
43	***	PISTON,AUTO-RELIEF	1
44	111671	O-RING	1
45	***	COVER	1
46	***	SOCKET BOLT,W/W	4
47	***	PIPE	1
48	***	NIPPLE	1
49	110591	NIPPLE ELBOW	1
50	***	ORIFICE	1

NS - Not Shown

*** - Contact Allmand for more information.

©2020 Allmand®

3.3 - Receiver, Separator, and Service Header



Maxi-Air 400 & 375DP

SN 31-000024 and UP

3.3 - Receiver, Separator, and Service Header

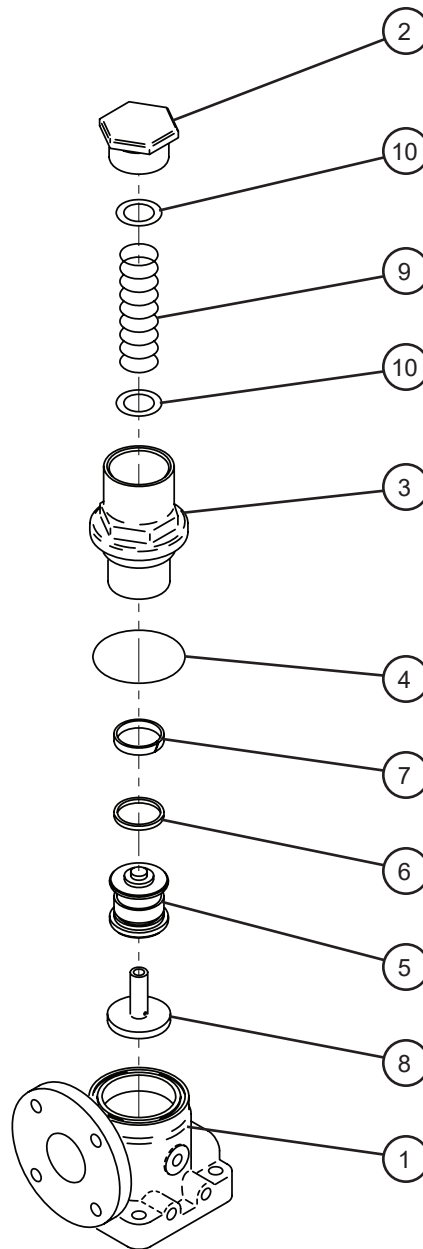
Item	Allmand No.	Part Description	Qty.
1	***	OIL SEPARATOR	1
2	***	CAP	1
3	***	O-RING	1
4	***	COVER	1
5	***	BRACKET	1
6	110515	FLANGE BOLT	2
7	***	BOLT,W/W	2
8	***	PIPE,DISCHARGE	1
	***	PIPE,DISCHARGE	1
9	***	O-RING	2
10	***	BOLT	4
11	***	BOLT	4
12	***	SPRING WASHER	16
13	***	PLAIN WASHER	24
14	***	NUT	4
15	***	NYLON TUBE,W/N	1
16	110824	NIPPLE ELBOW	2
17	***	PIPE	1
18	110856	VALVE	1
19	110857	NIPPLE	1
20	110858	PIPE	1
21	***	SAFETY VALVE ASS'Y	1
	***	SAFETY VALVE ASS'Y	1
22	110606	ELBOW	1
23	114250	NUT,W/W	4
24	***	BOLT	8
25	116851	SEPARATOR ASS'Y	1
26	110865	GASKET	1
27	110866	GASKET	1
28	***	NIPPLE	1
29	***	BUSHING	1
30	110581	STRAINER	1
31	***	PRESS.CONT.VLV.ASS'Y	1
32	***	O-RING	1
33	***	BOLT	4
34	***	SPRING WASHER	4
35	***	AIR MANIFOLD	1
	***	AIR MANIFOLD	1
36	***	BOLT,W/W	4
37	110870	AIR VALVE	1
38	110632	AIR VALVE	2
39	***	BRACKET	1
40	***	BOLT,W/W	2
41	***	BRACKET	1
42	***	BOLT,W/W	4
43	***	PIPE	1
44	***	O-RING	1
45	***	O-RING	1
46	***	BOLT	4
47	***	BOLT	4
48	***	PLAIN WASHER	16
49	***	SPRING WASHER	8
50	***	NUT	8
51	***	PLUG	5
52	***	COVER	1
53	***	EYELET RING	2

NS - Not Shown

*** - Contact Allmand for more information.

©2020 Allmand®

3.4 - Pressure Control Valve Assembly Group



Maxi-Air 400 & 375DP

SN 31-000024 and UP

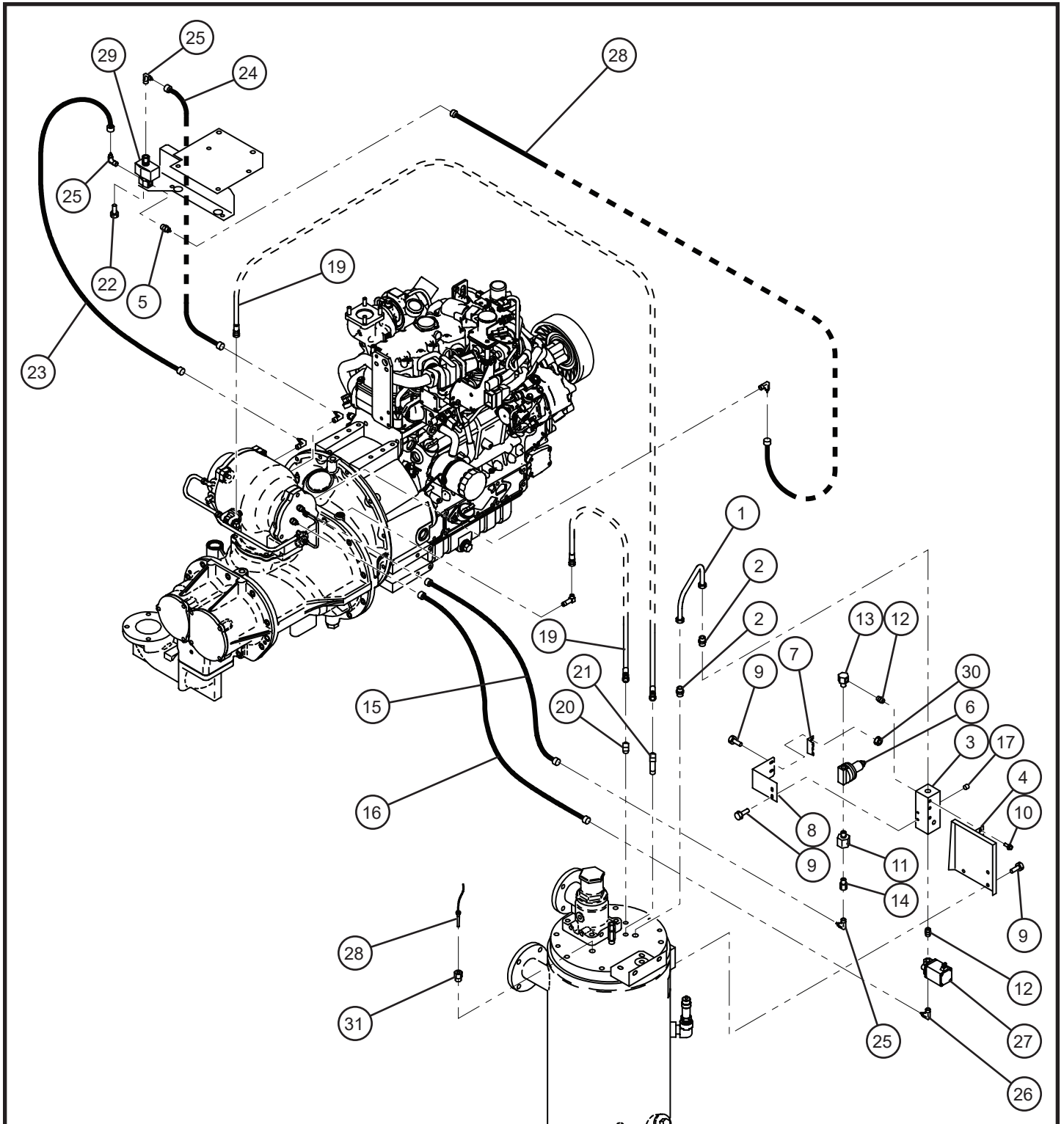
3.4 - Pressure Control Valve Assembly Group

Item	Allmand No.	Part Description	Qty.
1	***	BODY	1
2	***	COVER	1
3	***	COVER	1
4	110861	O-RING	1
5	***	PISTON	1
6	111742	O-RING	1
7	111743	RING,PISTON SEAL	1
8	111741	PISTON	1
9	***	SPRING	1
10	***	SPRING SEAT	2

NS - Not Shown

*** - Contact Allmand for more information.

3.5 - Maxi-Air 400 Air Lines



Maxi-Air 400 & 375DP

SN 31-000024 and UP

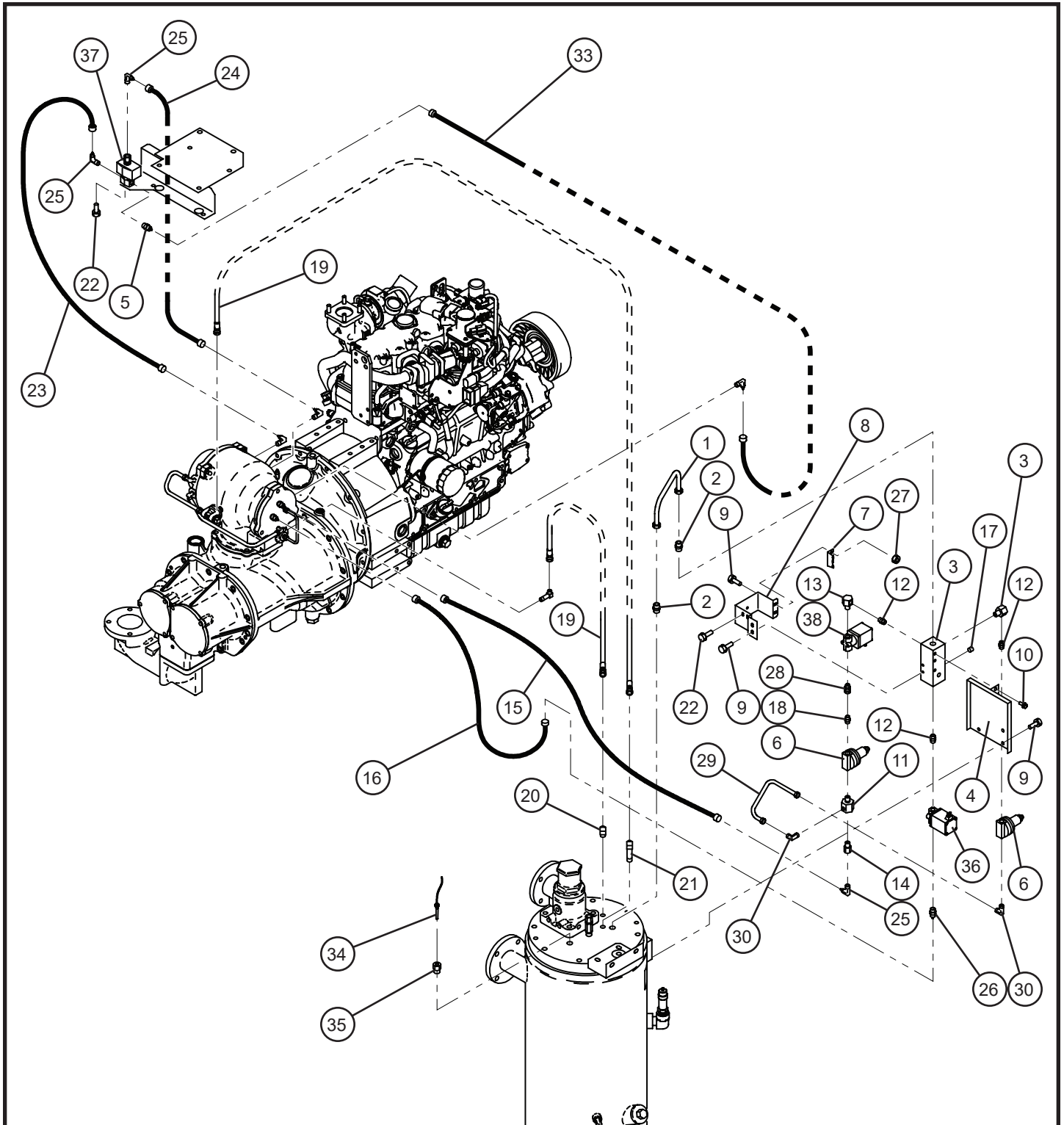
3.5 - Maxi-Air 400 Air Lines

Item	Allmand No.	Part Description	Qty.
1	***	PIPE	1
2	***	NIPPLE	2
3	***	AIR MANIFOLD	1
	110545	PRESSURE SWITCH	1
4	***	BRACKET	1
5	110583	NIPPLE	1
6	116855	REGULATOR ASS'Y	1
7	***	BRACKET	1
8	***	BRACKET	1
9	110515	FLANGE BOLT	5
10	110514	FLANGE BOLT	4
11	110593	BUSHING	1
	110545	PRESSURE SWITCH	1
12	***	NIPPLE	2
13	***	BUSHING	1
14	110806	BUSHING	1
15	***	NYLON TUBE,W/N	1
16	***	NYLON TUBE,W/N	1
17	***	PLUG	3
18	***	NYLON TUBE,W/N	1
19	***	HOSE	2
20	110591	NIPPLE ELBOW	1
21	***	NIPPLE ELBOW	1
22	***	BOLT,W/W	2
23	***	NYLON TUBE,W/N	1
24	***	NYLON TUBE,W/N	1
25	110582	NIPPLE ELBOW	3
26	110825	NIPPLE ELBOW	1
27	110547	SOLENOID VALVE	1
28	116874	THERMO SENSOR	1
29	***	SOLENOID VALVE	1
30	114248	HEXAGON FLANGE NUT	4
31	***	BUSHING	1

NS - Not Shown

*** - Contact Allmand for more information.

3.6 - Maxi-Air 375DP Air Lines



Maxi-Air 400 & 375DP

SN 31-000024 and UP

3.6 - Maxi-Air 375DP Air Lines

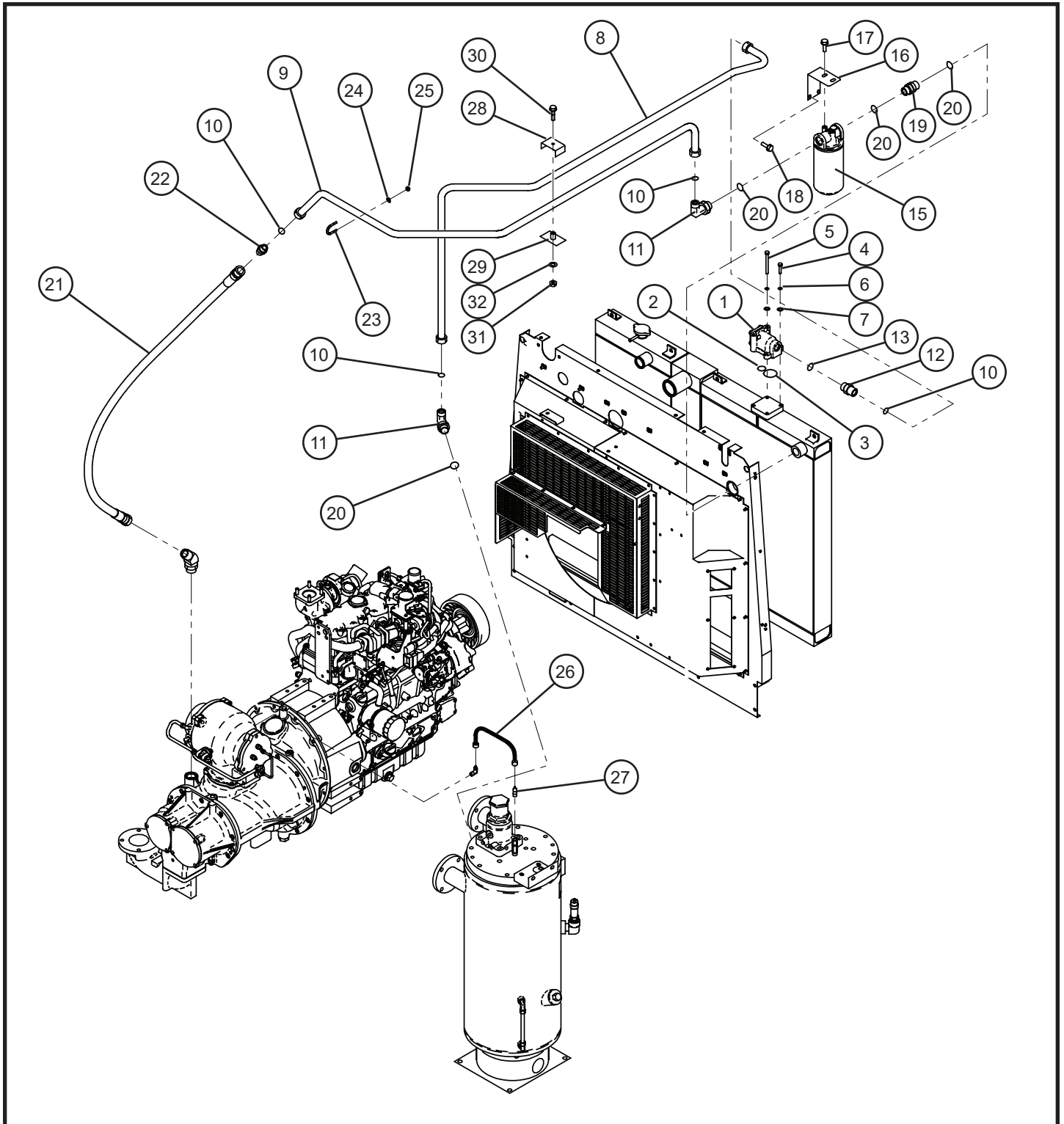
Item	Allmand No.	Part Description	Qty.
1	***	PIPE	1
2	***	NIPPLE	2
3	***	AIR MANIFOLD	1
	110545	PRESSURE SWITCH	1
4	***	BRACKET	1
5	110583	NIPPLE	1
6	116855	REGULATOR ASS'Y	2
7	***	BRACKET	1
8	***	BRACKET	1
9	110515	FLANGE BOLT	5
10	110514	FLANGE BOLT	4
11	110599	BUSHING	1
	116880	PRESSURE SWITCH	1
12	***	NIPPLE	3
13	***	BUSHING	1
14	110806	BUSHING	1
15	***	NYLON TUBE,W/N	1
16	***	NYLON TUBE,W/N	1
17	***	PLUG	2
18	***	NIPPLE	1
19	***	HOSE	2
20	110591	NIPPLE ELBOW	1
21	***	NIPPLE ELBOW	1
22	***	BOLT,W/W	2
23	***	NYLON TUBE,W/N	1
24	***	NYLON TUBE,W/N	1
25	110582	NIPPLE ELBOW	3
26	110822	NIPPLE	1
27	114248	HEXAGON FLANGE NUT	4
28	110592	JOINT	1
29	***	PIPE	1
30	***	NIPPLE ELBOW	2
31	***	BUSHING	1
32	***	BOLT,W/W	2
33	***	NYLON TUBE,W/N	1
34	116874	THERMO SENSOR	1
35	***	BUSHING	1
36	110547	SOLENOID VALVE	1
37	***	SOLENOID VALVE	1
38	***	SOLENOID VALVE	1

NS - Not Shown

*** - Contact Allmand for more information.

©2020 Allmand®

3.7 - Oil Lines



Maxi-Air 400 & 375DP

SN 31-000024 and UP

3.7 - Oil Lines

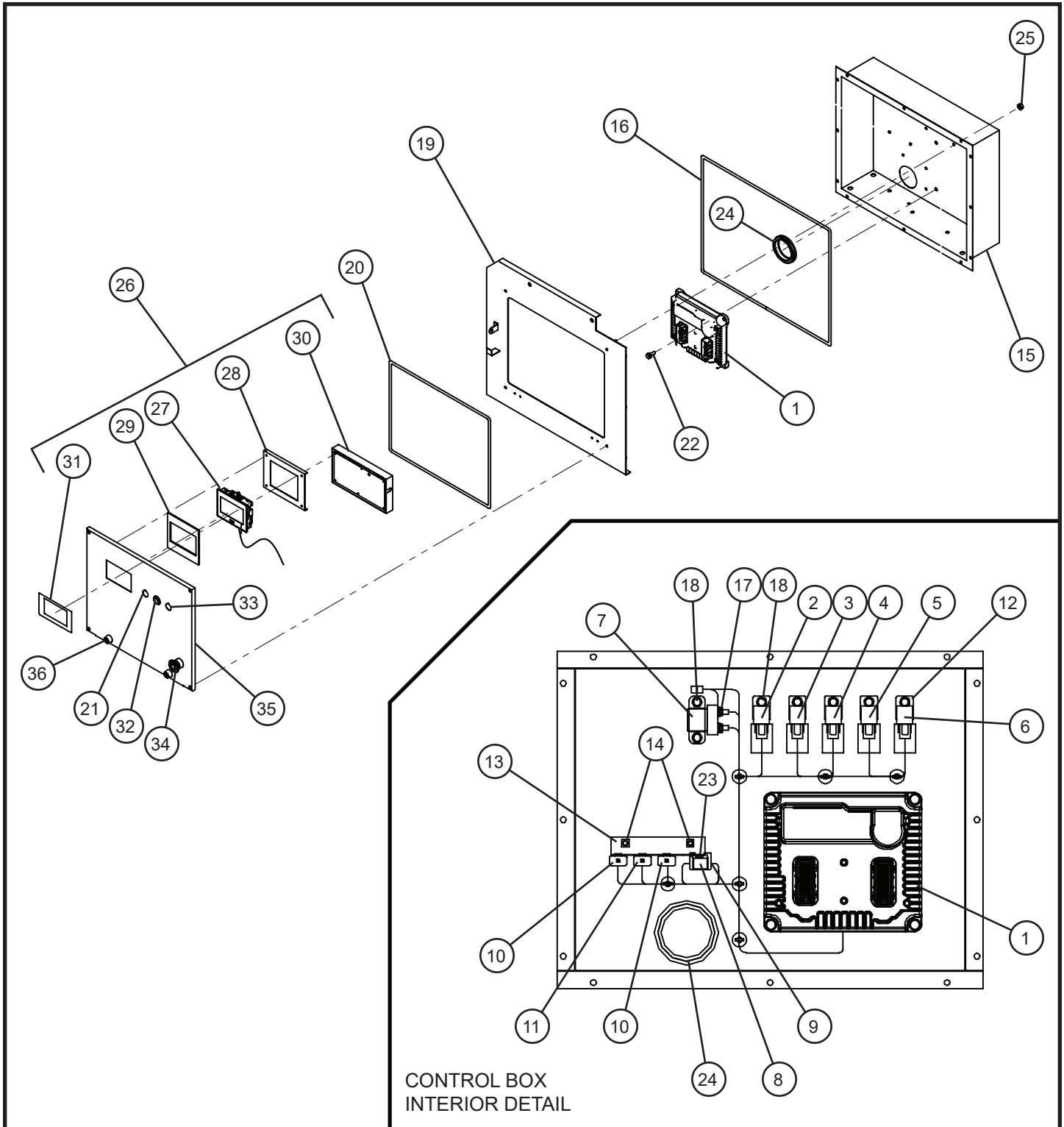
Item	Allmand No.	Part Description	Qty.
1	110786	MAXI-AIR 400 BY-PASS VALVE ASS'Y	1
	***	MAXI-AIR 375DP BY-PASS VALVE ASS'Y	1
	110572	MAXI-AIR 400 PELLET ASS'Y	1
	***	MAXI-AIR 375DP PELLET ASS'Y	1
	110573	O-RING	1
2	110789	O-RING	1
3	110575	O-RING	1
4	***	BOLT	2
5	***	BOLT	2
6	113030	SPRING WASHER	4
7	113031	PLAIN WASHER	4
8	***	PIPE	1
9	***	PIPE	1
10	111341	O-RING	4
11	111342	NIPPLE ELBOW	2
12	***	NIPPLE	1
13	111343	O-RING	1
14	116856	BODY	1
15	110796	FILTER CARTRIDGE	1
16	***	BRACKET	1
17	***	BOLT,W/W	2
18	110515	FLANGE BOLT	2
19	***	NIPPLE	1
20	111672	O-RING	4
21	***	HOSE	1
22	***	NIPPLE	1
23	***	U-BOLT	1
24	***	PLAIN WASHER	2
25	***	NUT,W/W	2
26	***	NYLON TUBE,W/N	1
27	110582	NIPPLE ELBOW	1
28	110793	BRACKET	1
29	110794	BRACKET	1
30	***	FLANGE BOLT	1
31	***	NUT,W/W	1
32	***	PLAIN WASHER	1

NS - Not Shown

*** - Contact Allmand for more information.

©2020 Allmand®

4.1 - Control Box Group



Maxi-Air 400 & 375DP

SN 31-000024 and UP

4.1 - Control Box Group

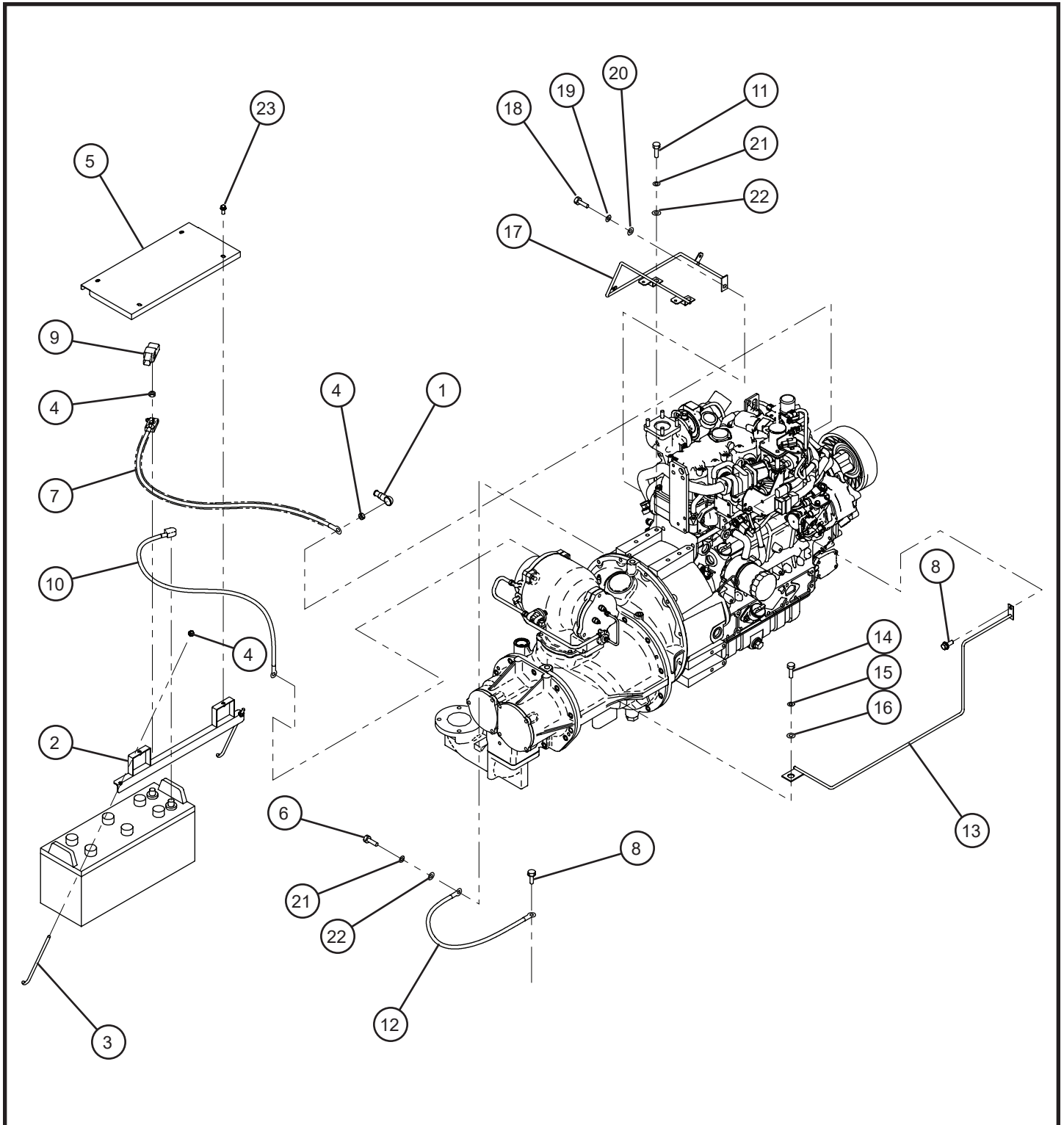
Item	Allmand No.	Part Description	Qty.
1	***	CONTROLLER(ECU)	1
2	***	RELAY(STARTER)	1
3	***	RELAY(ECU)	1
4	***	RELAY(UNLOADER)	1
5	***	RELAY(ACU)	1
6	***	RELAY(DEF HANTER)	1
7	***	RELAY(HEATER)	1
8	***	FUSE BOX(120A)	1
9	***	CONNECTOR	1
10	***	FUSE BOX	2
	***	FUSE (30A)	2
11	110660	FUSE BOX	1
	110900	FUSE (20A)	1
12	***	BRACKET	5
13	***	BRACKET	1
14	***	BOLT,W/W	2
15	***	BRACKET	1
16	***	SEAL RUBBER	1
17	***	NUT, W/W	2
18	***	SCREW, W/W	7
19	***	COVER	1
20	***	SEAL RUBBER	1
21	***	CAP	1
	116876	SELECT SWITCH	1
22	***	BOLT,W/W	6
23	***	SCREW	2
	***	SPRING WASHER	2
	***	PLAIN WASHER	2
24	***	GROMMET	1
25	114248	HEXAGON FLANGE NUT	12
26	***	CONTROL PANEL	1
27	***	CONTROLLER COMPLETE	1
	***	CABLE	1
28	***	PLATE	1
29	***	CUSHION RUBBER	1
30	***	CONTROLLER COMPLETE	1
	***	BOX	1
31	***	PLATE	1
32	116877	PUSH BUTTON SWITCH	1
33	116878	SELECT SWITCH	1
34	116879	BUTTON SWITCH	1
35	***	INSTRUMENT PANEL	1
36	112962	RUBBER	2
NS	***	CABLE KIT	1
NS	***	DP WIRING HARNESS	1
NS	***	MAIN WIRING HARNESS	1

NS - Not Shown

*** - Contact Allmand for more information.

©2020 Allmand®

4.2 - Battery Cables Group



Maxi-Air 400 & 375DP

SN 31-000024 and UP

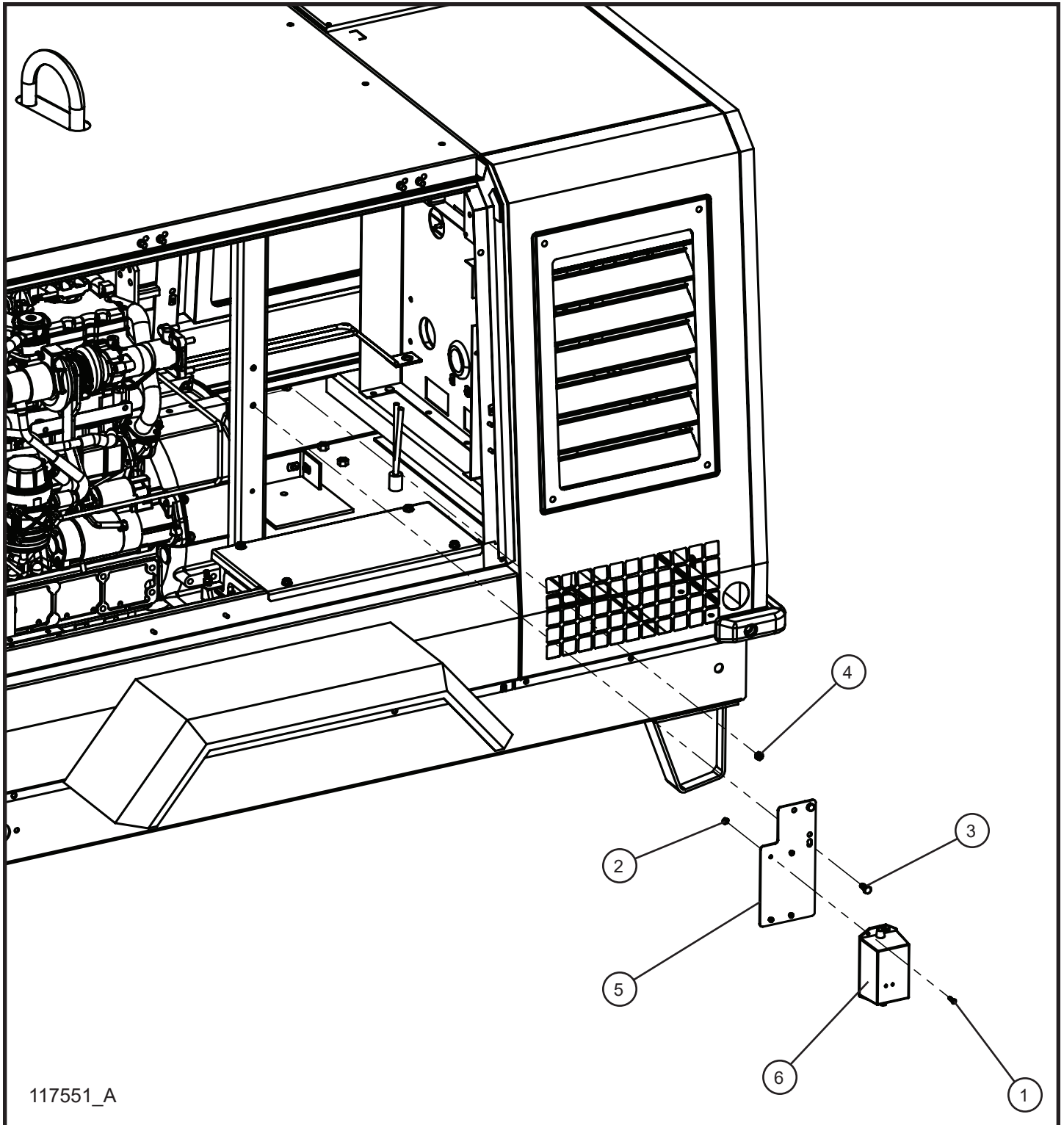
4.2 - Battery Cables Group

Item	Allmand No.	Part Description	Qty.
1	***	BATTERY	1
2	***	COVER	1
3	***	HOLDER	2
4	***	NUT,W/W	4
5	***	COVER	1
6	***	BOLT	2
7	***	TERMINAL	1
	***	CABLE	1
	***	CORRUGATED TUBE	1
8	***	BOLT,W/W	6
9	***	INSULATOR	1
10	***	CABLE	1
	***	INSULATOR	1
11	***	BOLT	3
12	***	CABLE	1
13	***	GUIDE	1
14	***	BOLT	1
15	***	SPRING WASHER	1
16	***	PLAIN WASHER	1
17	***	GUIDE	1
18	***	BOLT	1
19	***	SPRING WASHER	1
20	***	PLAIN WASHER	1
21	***	SPRING WASHER	5
22	***	PLAIN WASHER	5
23	110515	FLANGE BOLT	14

NS - Not Shown

*** - Contact Allmand for more information.

4.3 - Battery Charger



117551_A

Maxi-Air 400 & 375DP

SN 31-000024 and UP

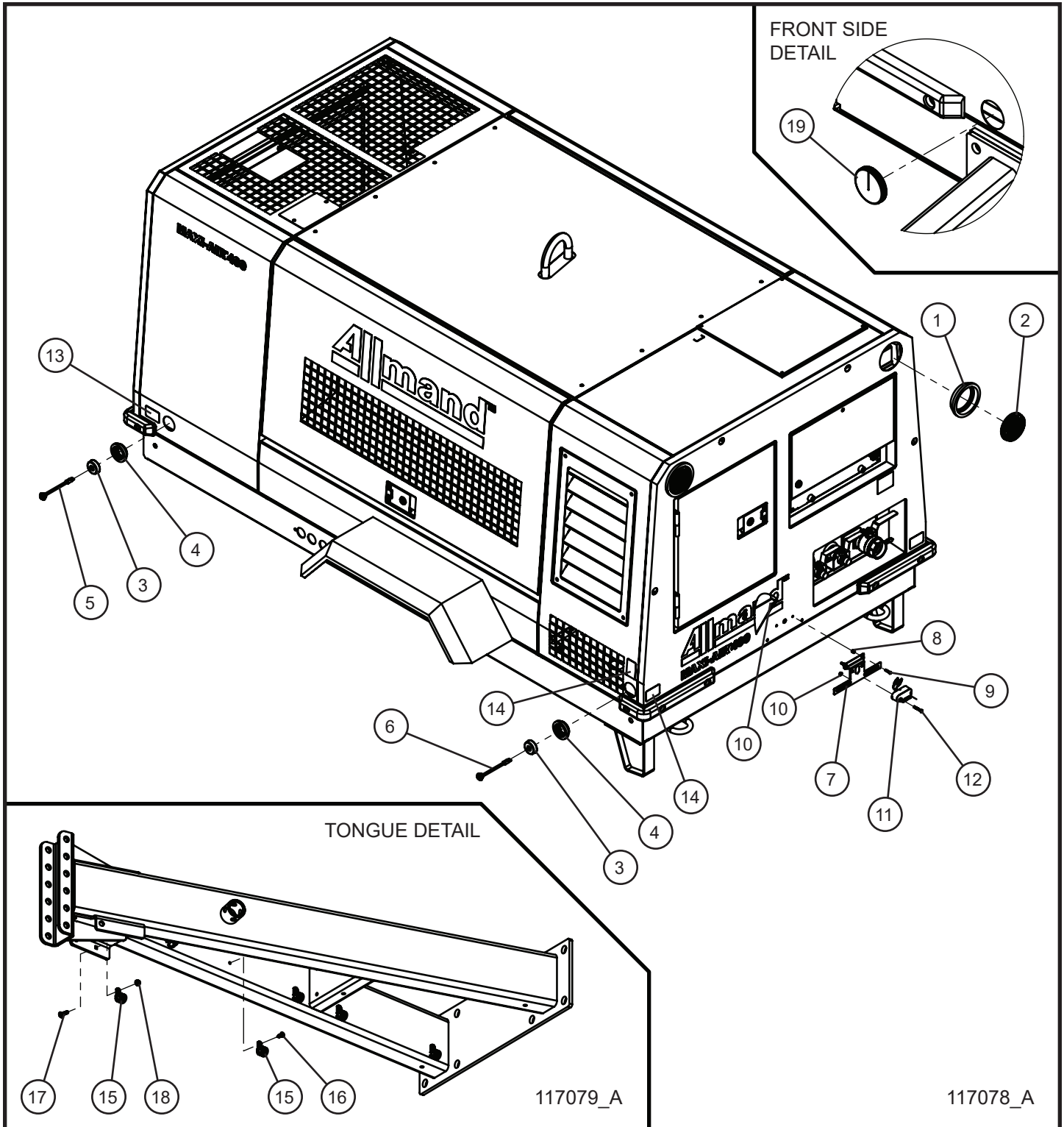
4.3 - Battery Charger

Item	Allmand No.	Part Description	Qty.
1	041027	#10-24 x 3/4 PH-ROUND HEAD MS ZC	4
2	044016	#10-24 KEPS HEX NUT PL	4
3	042033	M8 x 20mm x 1.25mm HEX HEAD CS GR10.9 PL	2
4	042081	M8 x 1.25mm NYLOCK HEX NUT PL	2
5	114785P	MAXI-AIR BATTERY CHARGER MOUNT	1
6	117552	MAXI-AIR 400 & 375DP BATTERY CHARGER	1
NS	022202	3/8" LOOM FLEX GUARD x 18.00	1

NS - Not Shown

* * * - Contact Allmand for more information.

4.4 - Trailer Lighting Group



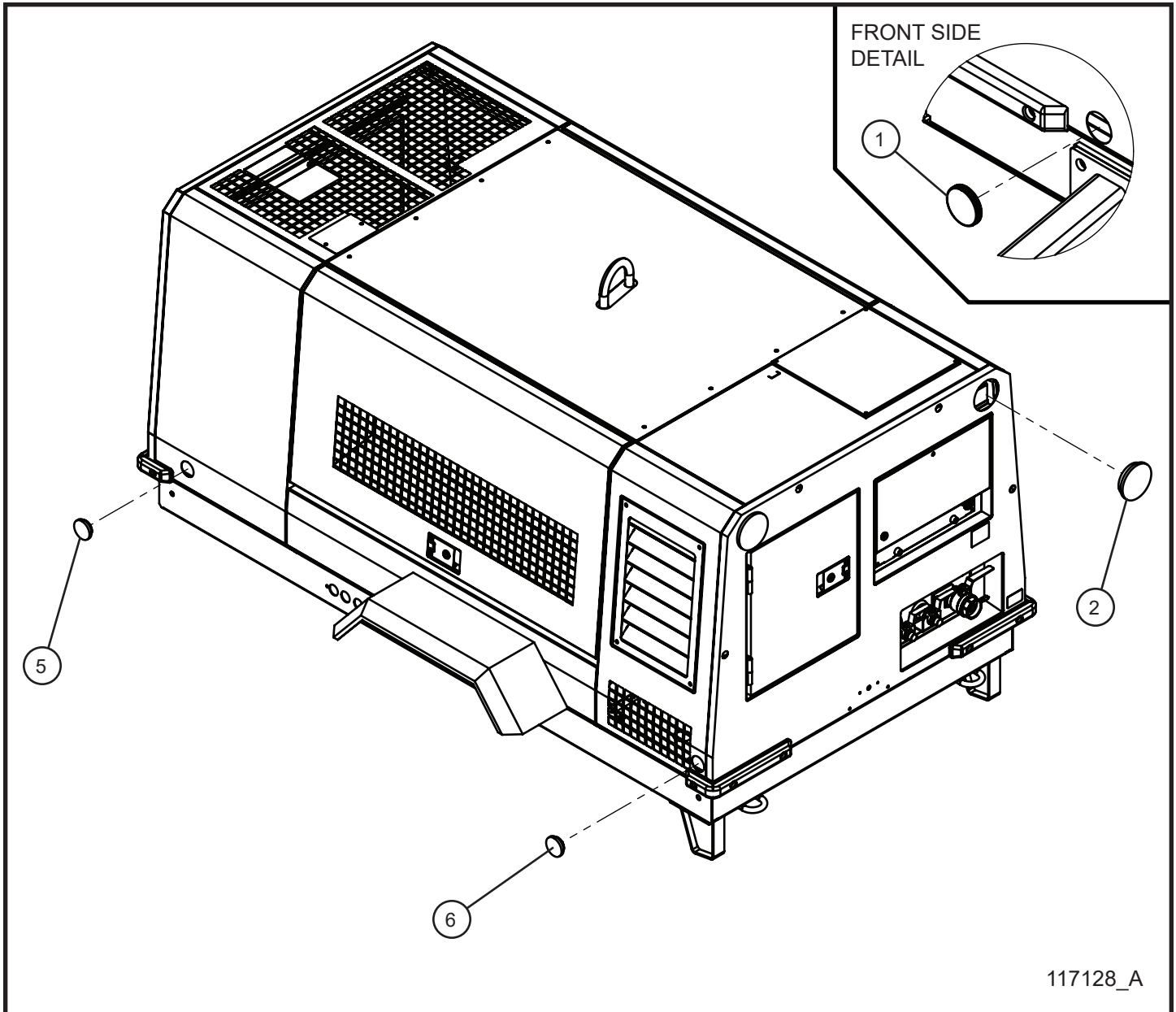
Maxi-Air 400 & 375DP

SN 31-000024 and UP

4.4 - Trailer Lighting Group

Item	Allmand No.	Part Description	Qty.
1	110260	4 IN. GROMMET TAIL LIGHT	2
2	114898	4 IN. LED LIGHT STOP TURN TAIL LIGHT	2
3	110255	ADAPTOR MARKER LIGHT	4
4	110261	2 IN. GROMMET MARKER LIGHT	4
5	106212	LIGHT LED MARKER AMBER	2
6	106211	LIGHT LED MARKER RED	2
7	105349P	BRACKET LICENSE PLATE	1
8	022180	SPACER RICOHO	2
9	041030	#10-24 x 1 PH-ROUND HEAD MS PL	2
10	044016	#10-24 KEPS HEX NUT PL	4
11	115116	LICENSE PLATE LIGHT LED	1
12	041040	#10-24 x 1 1/2 PH-ROUND HEAD MS PL	2
13	114884	REFLECTOR DECAL AMBER 2.75 x 1.75	2
14	115286	REFLECTOR DECAL RED 2.75 x 1.75	4
15	022014	#10 CUSH CLAMP	6
16	110256	TRIM PANEL RETAINER	5
17	100342	1/4-20 x 1 CARRIAGE BOLT	1
18	057001	1/4-20 HEX NYLOCK FLANGE NUT	1
19	110370	GROMMET SOLID 2.047 x 2.323 x .512	1
NS	116376	MAXI-AIR 400 & 375DP TAIL LIGHT HARNESS	1
NS	112286	MAXI-AIR 400 & 375DP TAIL LIGHT HARNESS SCHEMATIC	1

4.5 - Trailerless Lighting Hole Covers



117128_A

Maxi-Air 400 & 375DP

SN 31-000024 and UP

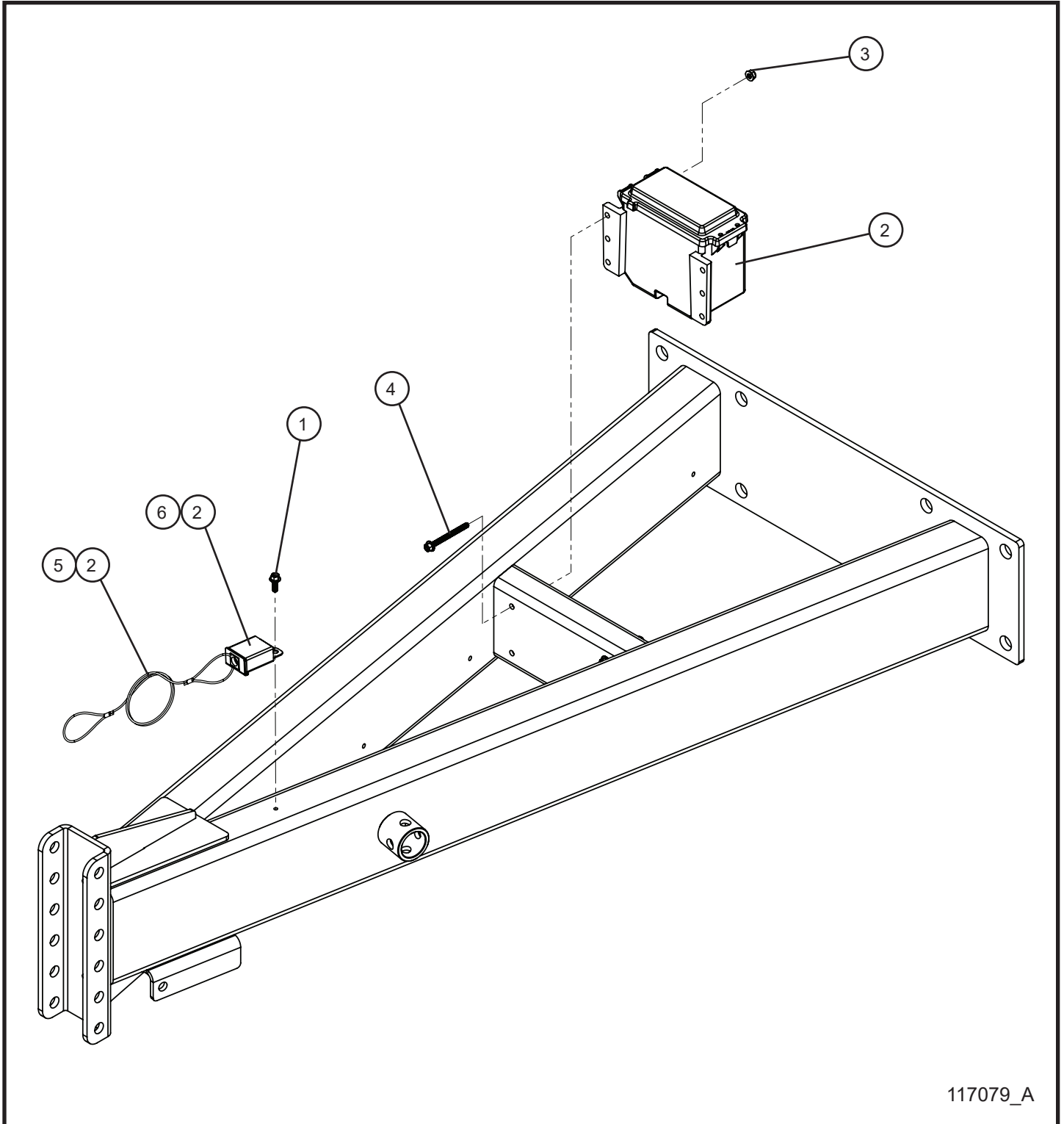
4.5 - Trailerless Lighting Hole Covers

Item	Allmand No.	Part Description	Qty.
1	110370	GROMMET SOLID 2.047 x 2.323 x .512	5
2	112444	GROMMET SOLID 130 x 102 x 13mm	2

NS - Not Shown

* * * - Contact Allmand for more information.

4.6 - Breakaway Kit Assembly



117079_A

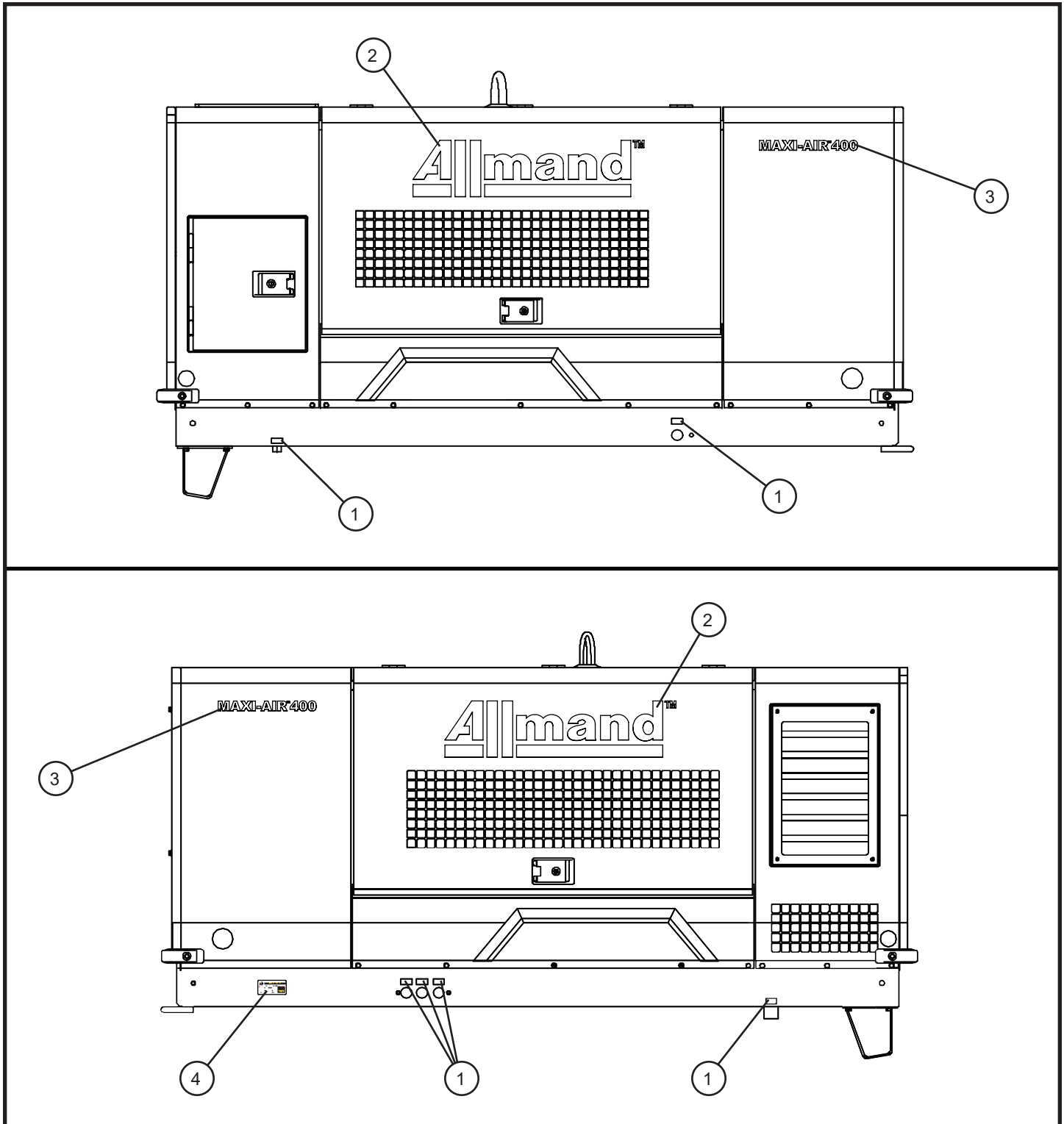
Maxi-Air 400 & 375DP

SN 31-000024 and UP

4.6 - Breakaway Kit Assembly

Item	Allmand No.	Part Description	Qty.
1	056002	1/4-20 x 3/4 HEX SERRATED FLANGE SCREW	1
2	111969	BREAKAWAY KIT ASSEMBLY	1
	105847	4 PIN RECEPTACLE WEDGELOCK	1
	106578	BREAKAWAY KIT ELECTRIC BRAKES	1
3	057001	1/4-20 HEX NYLOCK FLANGE NUT	4
4	056008	1/4-20 x 2 3/4 HEX SERRATED FLANGE	4
5	113065	BREAKAWAY SWITCH AND LANYARD ASSEMBLY	1
NS	711028	7/8 RUBBER GROMMET	1

5.1 - Left and Right Side Decals



Maxi-Air 400 & 375DP

SN 31-000024 and UP

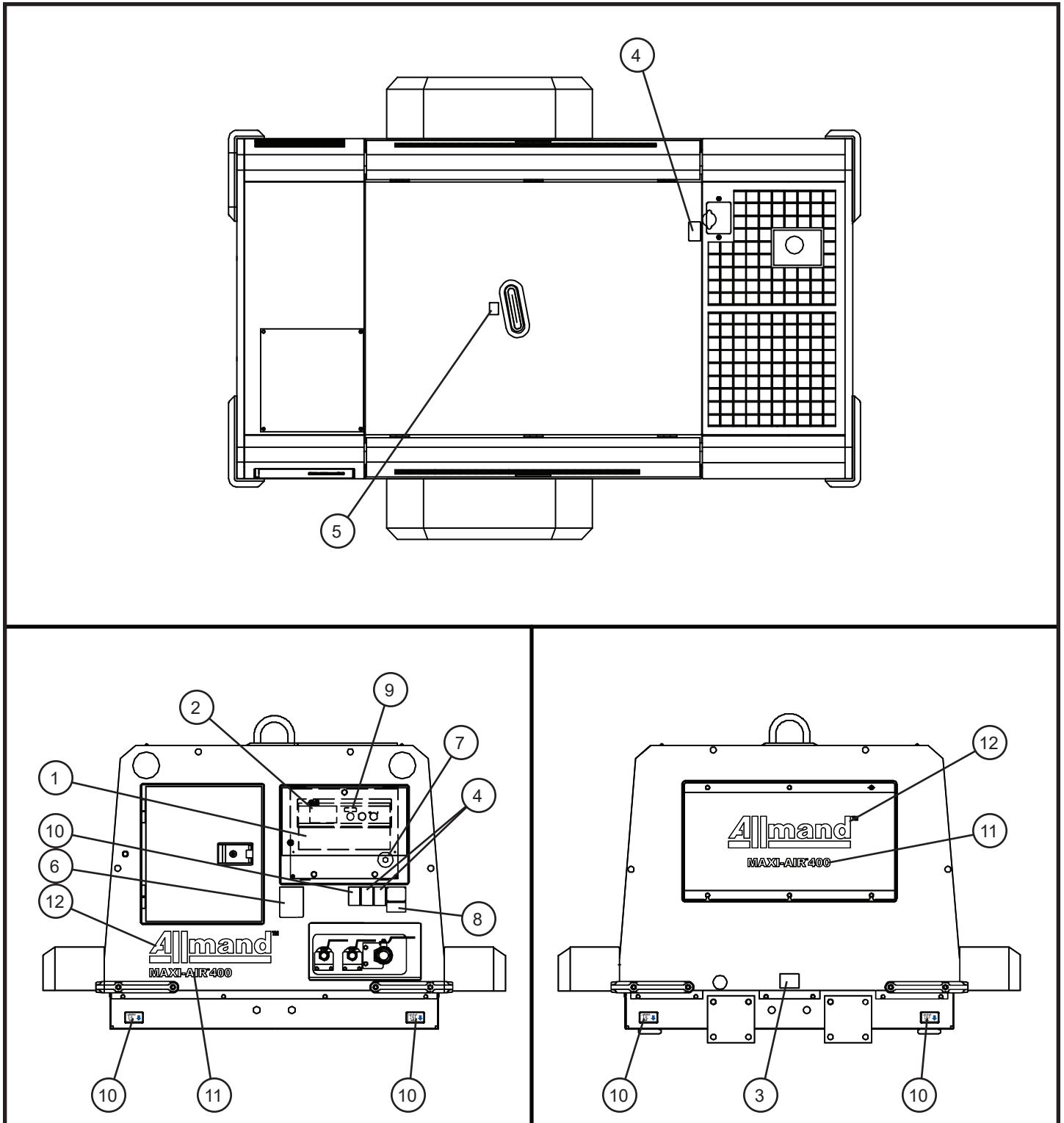
5.1 - Left and Right Side Decals

Item	Allmand No.	Part Description	Qty.
1	116869	PLATE (DRAIN LOCATION COMPLETE SET)	1
2	110287	LARGE BLACK ALLMAND BRAND DECAL	1
3	110284	MAXI-AIR 400 DECAL	2
	114900	MAXI-AIR 375DP DECAL	2
4	113943	ST225/75R15 TIRE INFO DECAL	2
NS	114412	PLATE (E2)	1

NS - Not Shown

*** - Contact Allmand for more information.

5.2 - Top, Front, and Rear Side Decals



Maxi-Air 400 & 375DP

SN 31-000024 and UP

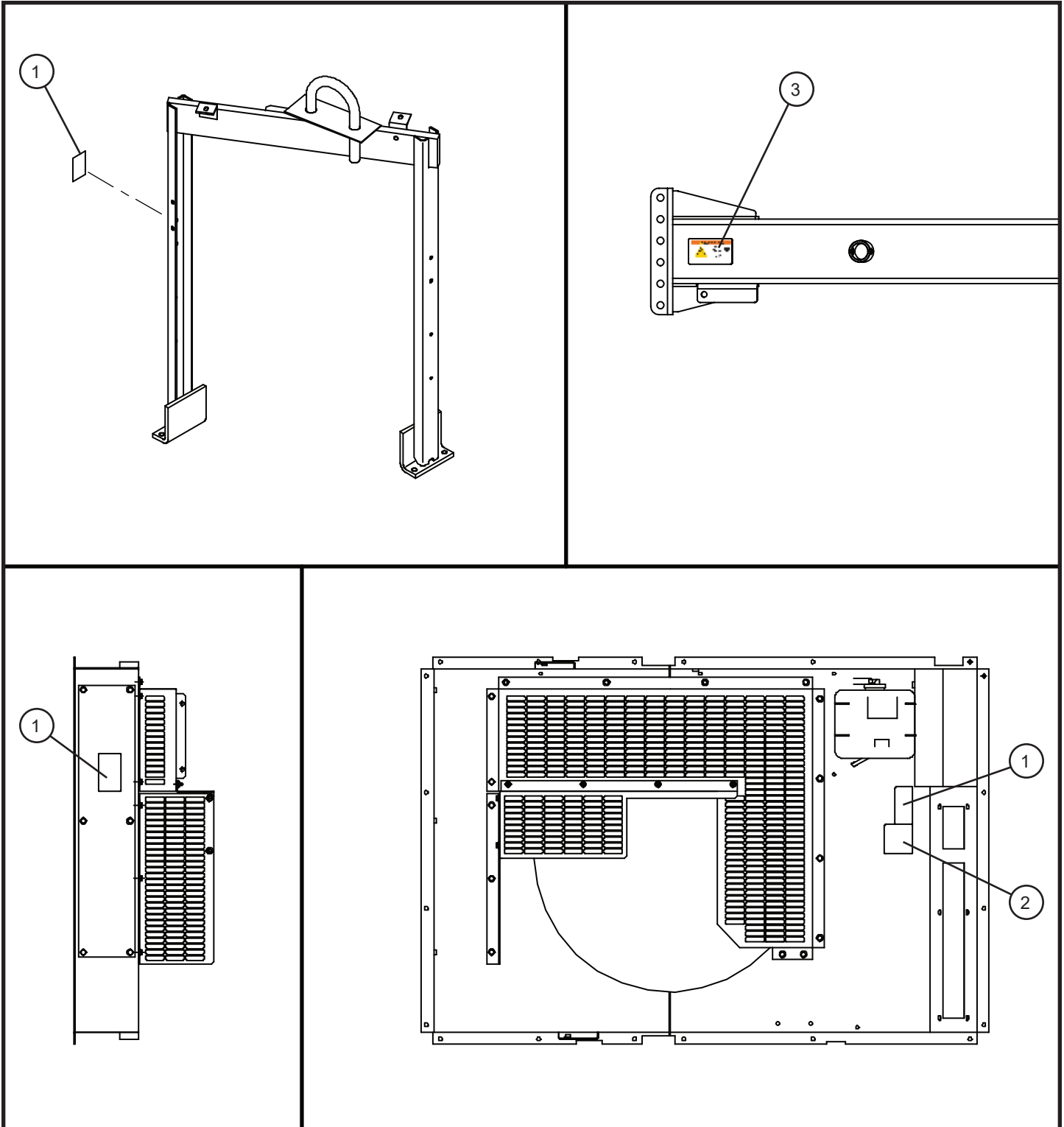
5.2 - Top, Front, and Rear Side Decals

Item	Allmand No.	Part Description	Qty.
1	116865	PLATE (START-STOP)	1
2	116866	PLATE (IN-PANE)	1
3	114408	PLATE (CAUTION,TOW MACHINE)	1
4	114460	PLATE (WARNING COMPLETE SET)	1
5	114400	PLATE(LIFT POSITION)	1
6	***	PLATE(NOTICE)	1
7	112844	PLATE(EMERGENCY STOP)	1
8	116910	PLATE(EXHAUST GAS CALIFORNIA)	1
9	***	PLATE(PRESSURE SELECT)	1
10	107462	TIE DOWN POSITION DECAL	4
11	110284	MAXI-AIR 400 DECAL	2
	114900	MAXI-AIR 375DP DECAL	2
12	110285	LARGE BLACK ALLMAND BRAND DECAL	2

NS - Not Shown

*** - Contact Allmand for more information.

5.3 - Tongue, Lift Bar, and Finger Guard Decals



Maxi-Air 400 & 375DP

SN 31-000024 and UP

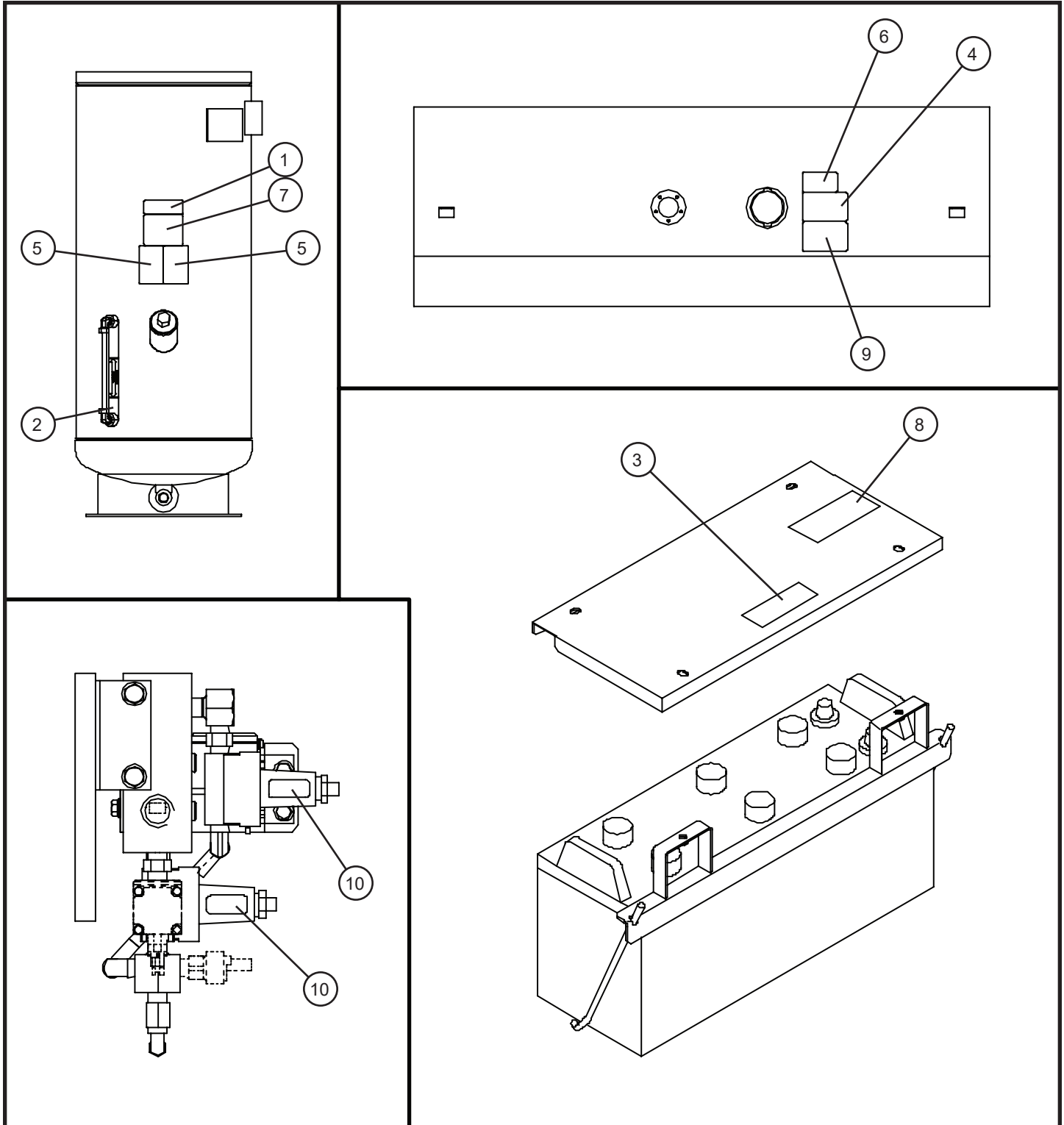
5.3 - Tongue, Lift Box, and Finger Guard Decals

Item	Allmand No.	Part Description	Qty.
1	114460	PLATE (WARNING COMPLETE SET)	1
2	***	PLATE(LLC -30)	1
3	110262	EXCESSIVE TOWING SPEED WARNING DECAL	2

NS - Not Shown

*** - Contact Allmand for more information.

5.4 - Interior Decals



Maxi-Air 400 & 375DP

SN 31-000024 and UP

5.4 - Interior Decals

Item	Allmand No.	Part Description	Qty.
1	116867	PLATE (CAUTION,STRAINER)	1
2	116868	PLATE (LEVEL GAUGE)	1
3	116917	PLATE (WARNING,BATTERY)	1
4	116915	PLATE (DIESEL FUEL)	1
5	114460	PLATE (WARNING COMPLETE SET)	1
6	***	PLATE(CAUTION,FUEL LEVEL)	1
7	***	PLATE(COMP.OIL)	1
	***	PLATE(COMP.OIL)	1
8	***	PLATE(UREA INLET)	1
9	***	PLATE(CAUTION,UREA LEVEL)	1
10	***	PLATE,COMPLETE (LOW & HIGH PRESSURE)	1

NS - Not Shown

*** - Contact Allmand for more information.

Maxi-Air 400 & 375DP



1502 West 4th Avenue
Holdrege, NE 68949

phone: (308) 995-4495 • toll free: (800) 562-1373

fax: (308) 995-5887

www.allmand.com